

REV. CHANGE

A	Ambassador Branded
B	Spring-Clip Latch
C	Add Bag Rivet Holes
D	Add Cup Bottom Ring
E	Refreshed
F	Gasket Lid / Cup Lip
G	Extra-Soft (Rubber Hose)

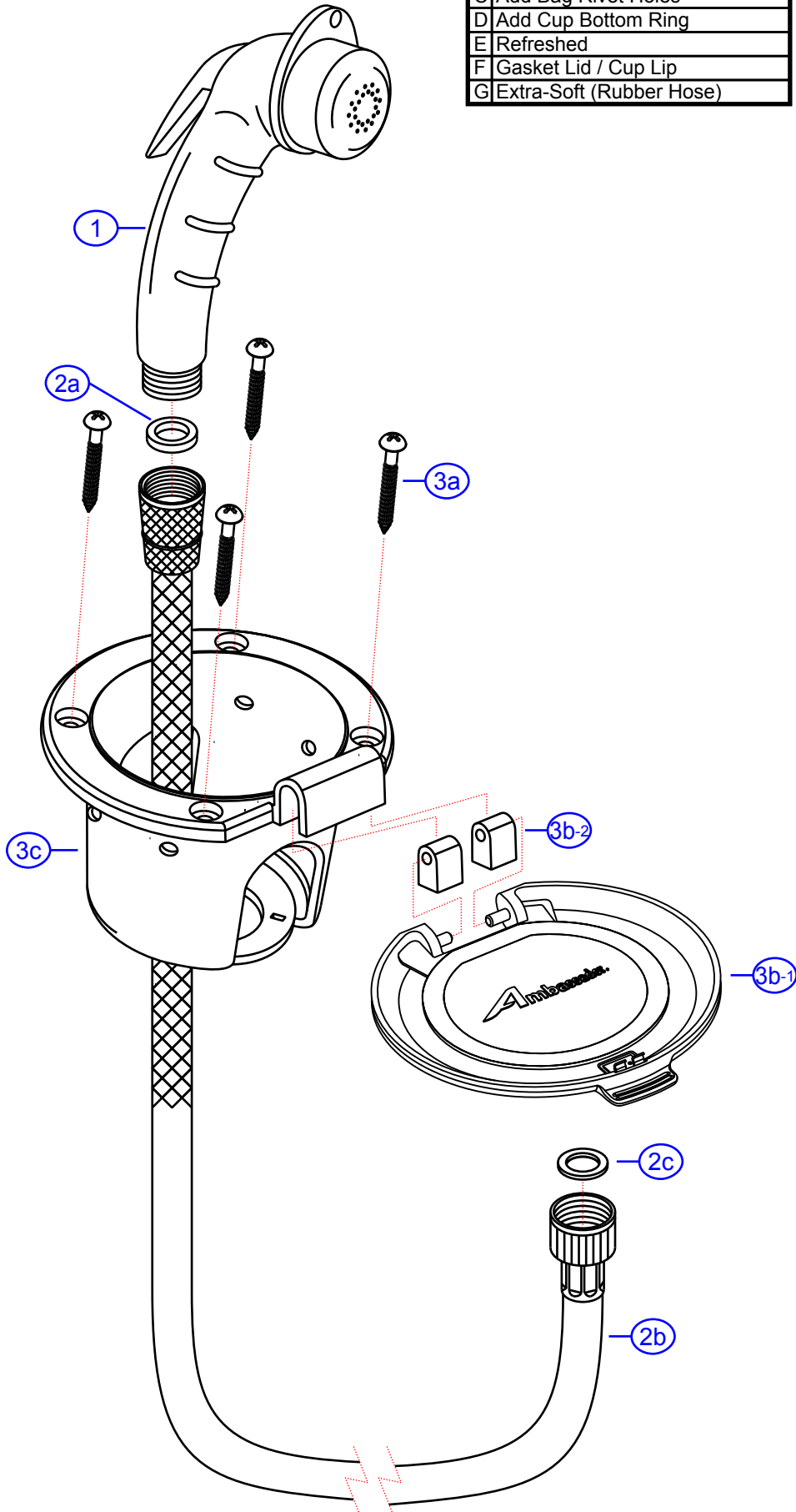
136-0040-xx

www.ambassadormarine.com  
800.270.4262

© Ambassador Marine, Inc.

**Ambassador**  
MARINE

Rev #	G	Package Style	OEM	Model #	136-0040-xx
ERP #	N/A			Series	Universal
Drawn By	SS	Approved/Modified	05/20/2026	Type	Recessed Shower



NOT DRAWN TO SCALE

