

REV. CHANGE	
A	Ambassador Branded
B	Refreshed

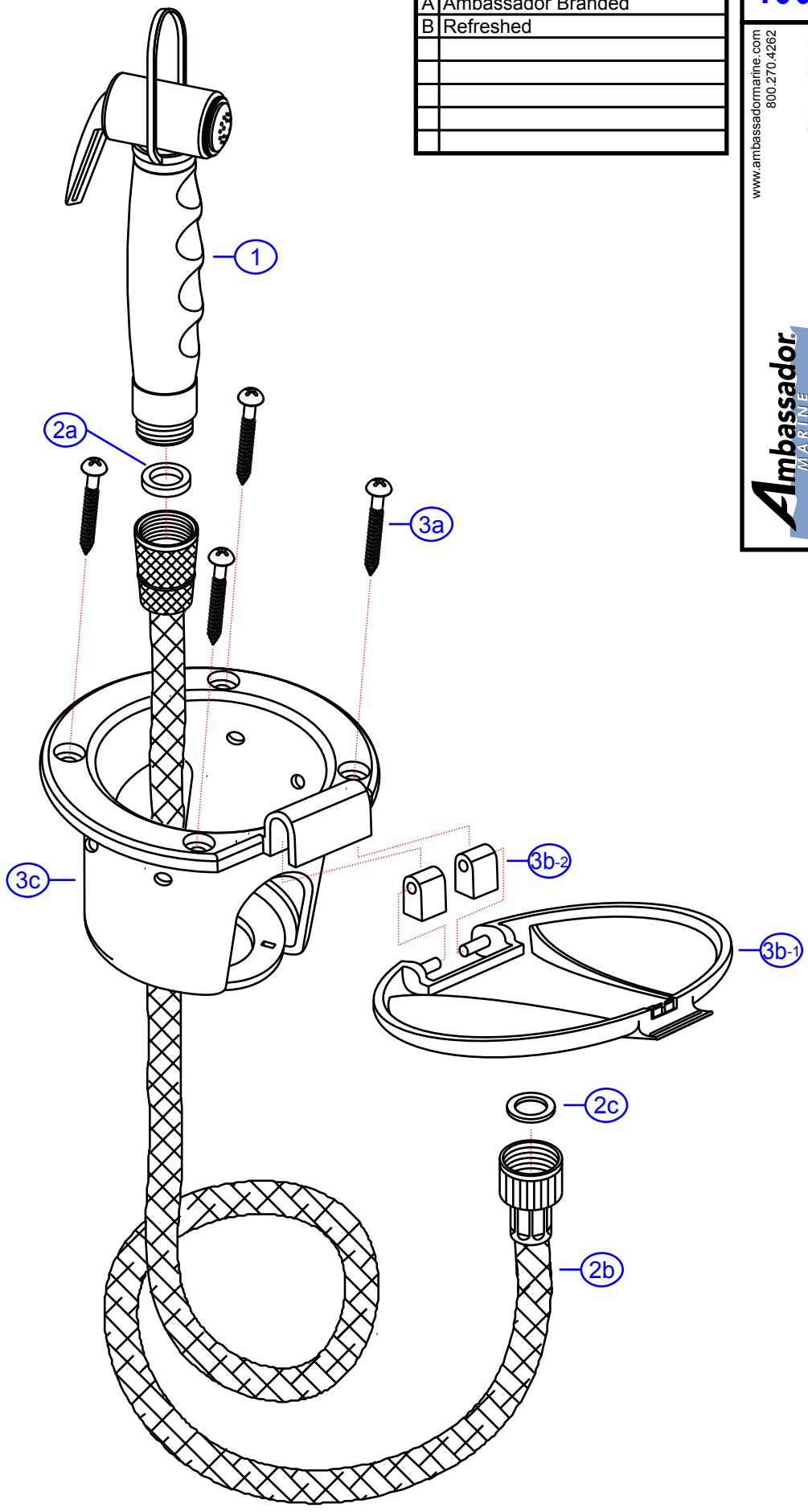
136-0042-xx

www.ambassadormarine.com
800.270.4262

© Ambassador Marine, Inc.

Ambassador
MARINE

Rev #	B	Package Style	OEM	Model #	136-0042-xx
ERP #	N/A	Approved/Modified	03/10/2020	Series	Universal
Drawn By	SS	Type	Recessed Shower		



NOT DRAWN TO SCALE

136-0042-xx

Universal
 Recessed Shower (Stainless Steel Lid / Plastic Cup)

Rev. B



(800) 270-4262

www.ambassadormarine.com

#	Description	Qty	Part #	Finish Code Suffix (i.e. EA-123456CP)					Material
				AW	CA	CW	KP	WH	
1	Hammer-Head Sprayer see "Individual Sprayer" for sprayer assembly breakdown	1	138-0300-__	CA	CA	CW	CK	CW	-
2	6' Rubber Hose Assembly	1	130-0033-__	WH	WH	WH	KP	WH	-
2a	Washer	1	L-024132						NBR
2b	6' Rubber Hose	1	L-300229*	WH	WH	WH	KP	WH	-
2c	Washer	1	L-024132						NBR
3	Recessed Cup & Lid Set (stainless lid / plastic cup)	1	136-0015-__	AW	CP	CP	KP	WH	-
3a	Mounting Screw	4	L-SH4001						SUS304
3b	Lid Assembly (w/spring clip latch) (stainless steel)	1	TRA-1004-__	SS	SS	SS	SS	SS	-
3b-1	Lid (w/spring clip latch) (stainless steel)	1	TRS-0006-	SS	SS	SS	SS	SS	SUS316
3b-2	Hinge Inserts	2	TRS-0001						NBR
3c	Recessed Cup (plastic)	1	L-SH4002	AW	CP	CP	KP	WH	ABS (3% UV)

* - Part is not available individually. "Assembled" item is required.