

REV. CHANGE

A	Ambassador Branded
B	Refreshed
C	Gasket Lid / Cup Lip

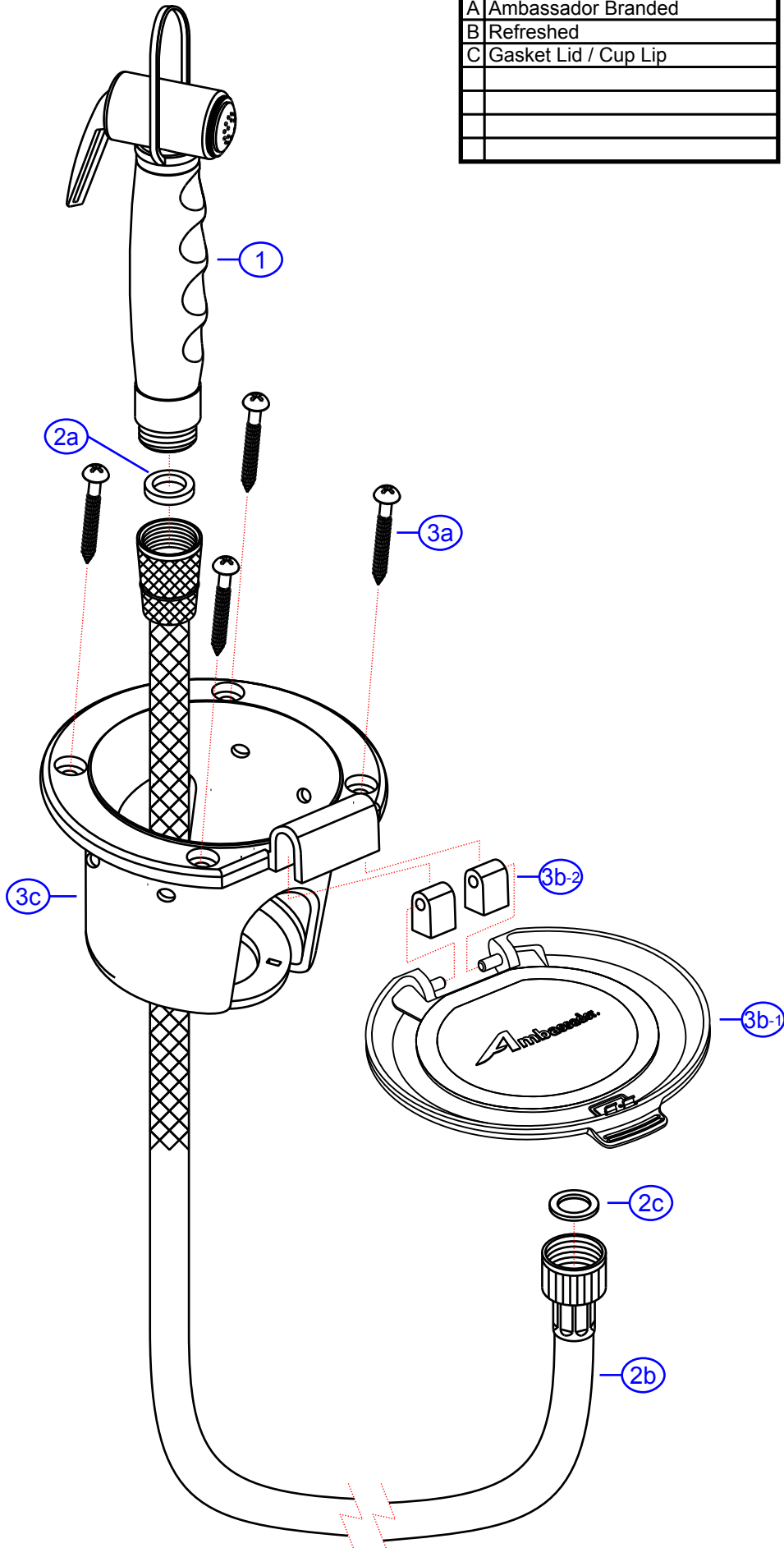
136-0042-xx

www.ambassadormarine.com
800.270.4262

© Ambassador Marine, Inc.

Ambassador
MARINE

Rev #	C	Package Style	OEM	Model #	136-0042-xx
ERP #	N/A	Approved/Modified	09/18/2023	Series	Universal
Drawn By	SS	Type	Recessed Shower		



NOT DRAWN TO SCALE

