

| REV. CHANGE | |
|-------------|--------------------|
| A | Ambassador Branded |
| B | Refreshed |
| | |
| | |
| | |
| | |
| | |

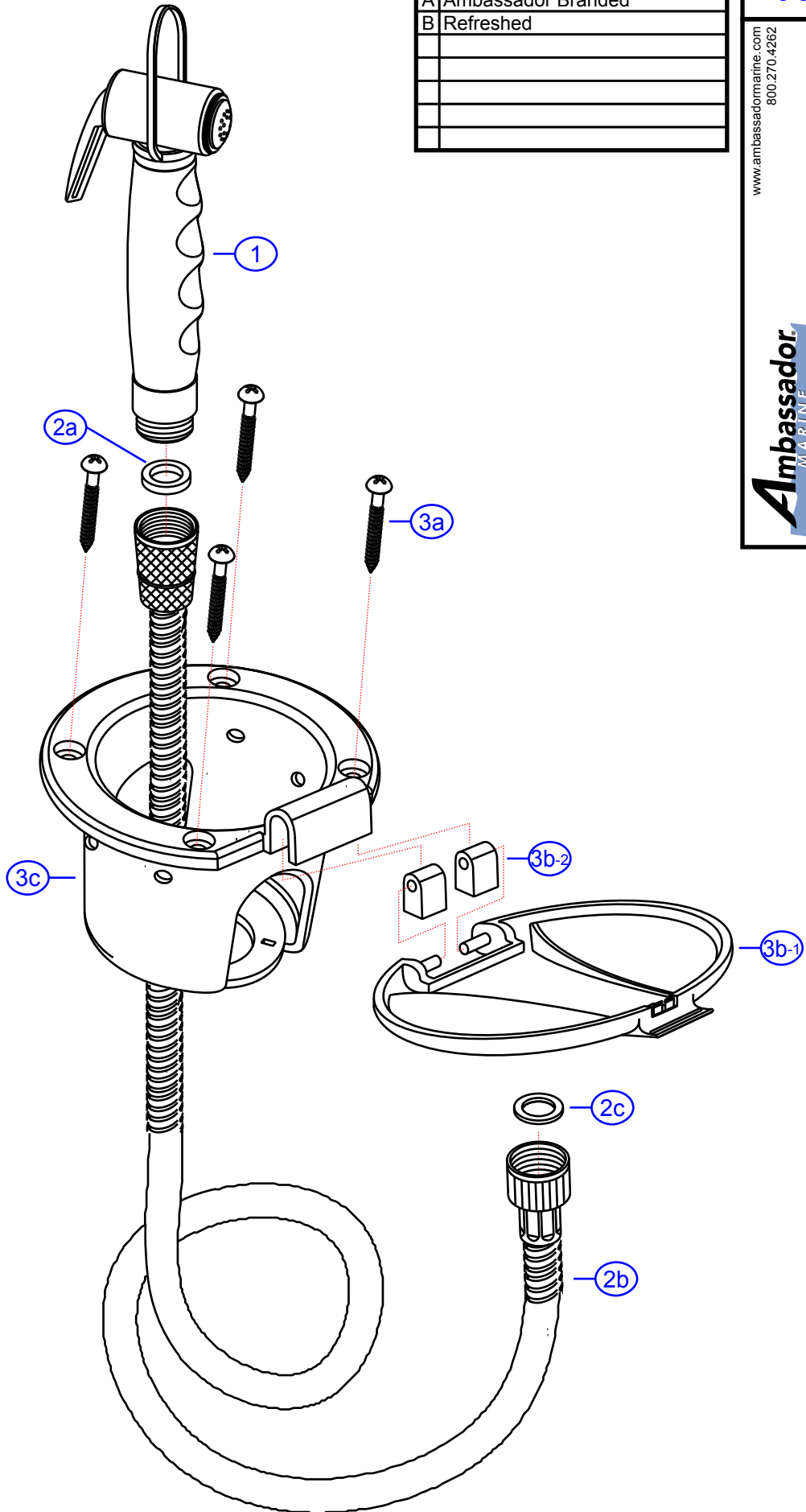
136-0043-xx

www.ambassadormarine.com
800.270.4262

© Ambassador Marine, Inc.

Ambassador
MARINE

| | | | | | |
|----------|-----|-------------------|-----------------|---------|--------------------|
| Rev # | B | Package Style | OEM | Model # | 136-0043-xx |
| ERP # | N/A | Approved/Modified | 02/06/2020 | Series | Universal |
| Drawn By | SS | Type | Recessed Shower | | |



NOT DRAWN TO SCALE

