

REV. CHANGE

A	Ambassador Branded
B	Refreshed
C	Gasket Lid / Cup Lip

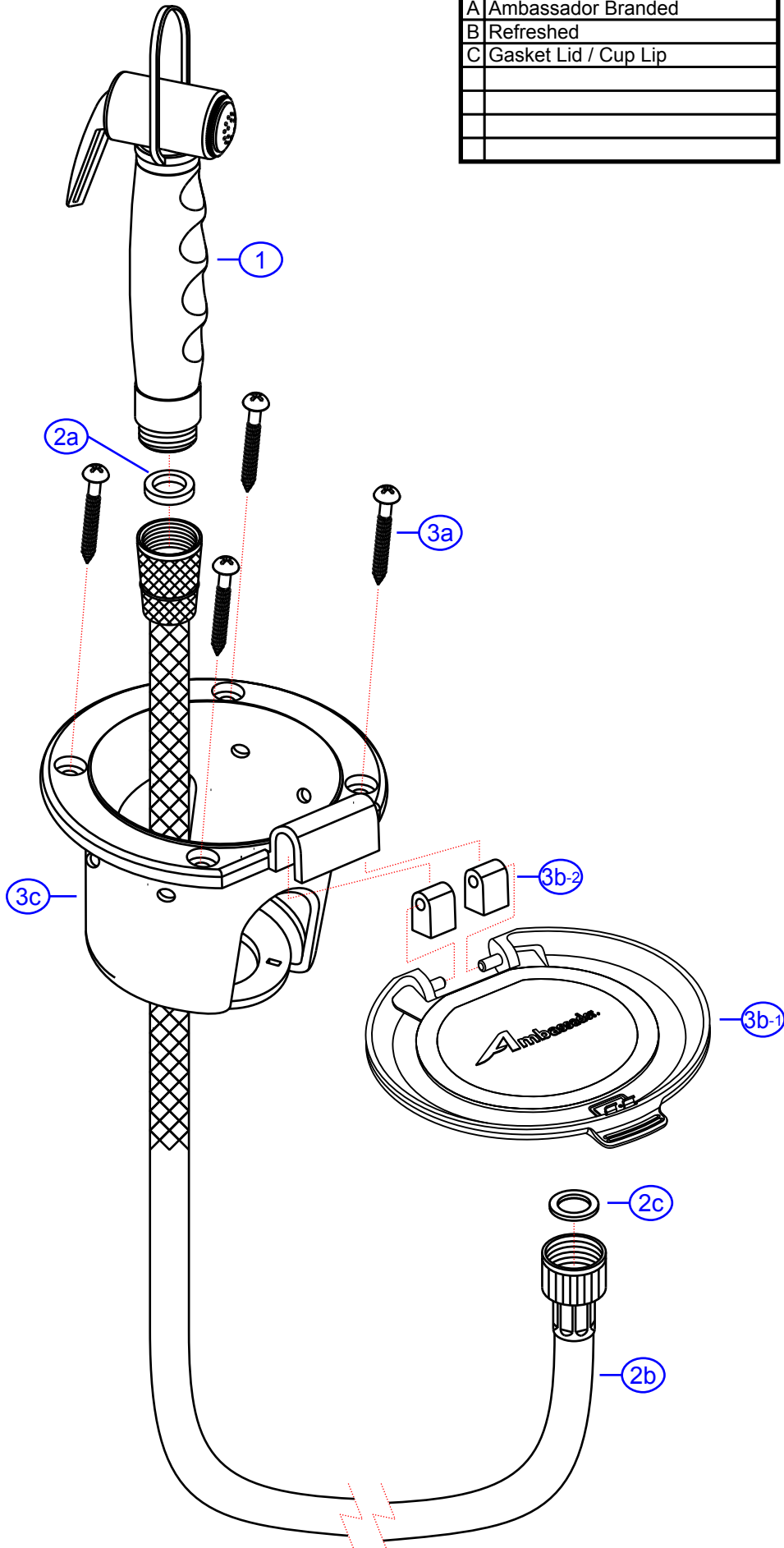
136-0044-xx

www.ambassadormarine.com  
800.270.4262

© Ambassador Marine, Inc.

**Ambassador**  
MARINE

Rev #	C	Package Style	OEM	Model #	136-0044-xx
ERP #	N/A	Approved/Modified	01/29/2024	Series	Universal
Drawn By	SS	Type	Recessed Shower		



NOT DRAWN TO SCALE

