

Rev. Change

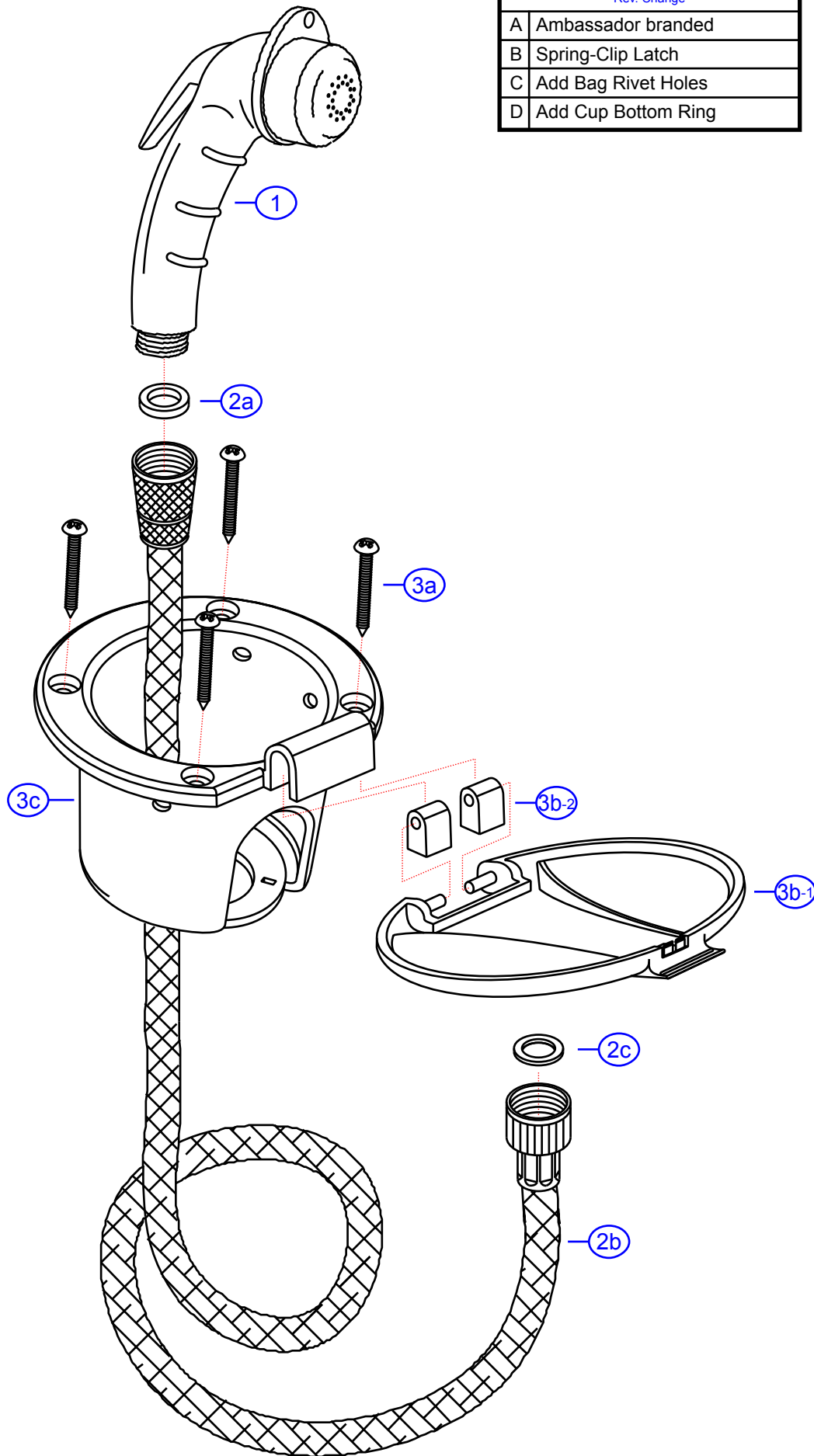
A	Ambassador branded
B	Spring-Clip Latch
C	Add Bag Rivet Holes
D	Add Cup Bottom Ring

136-0047-xx

by Associated Marketing Concepts
www.ambassadormarine.com
(800) 270-4262

Ambassador
MARINE

Rev #	D	Package Style	OEM	Model #	136-0047-xx
Vendor #			N/A	Series	Universal
Drawn By	SS	Approved/Modified	09/17/12	Type	Recessed Shower



NOT DRAWN TO SCALE

