

Rev. Change

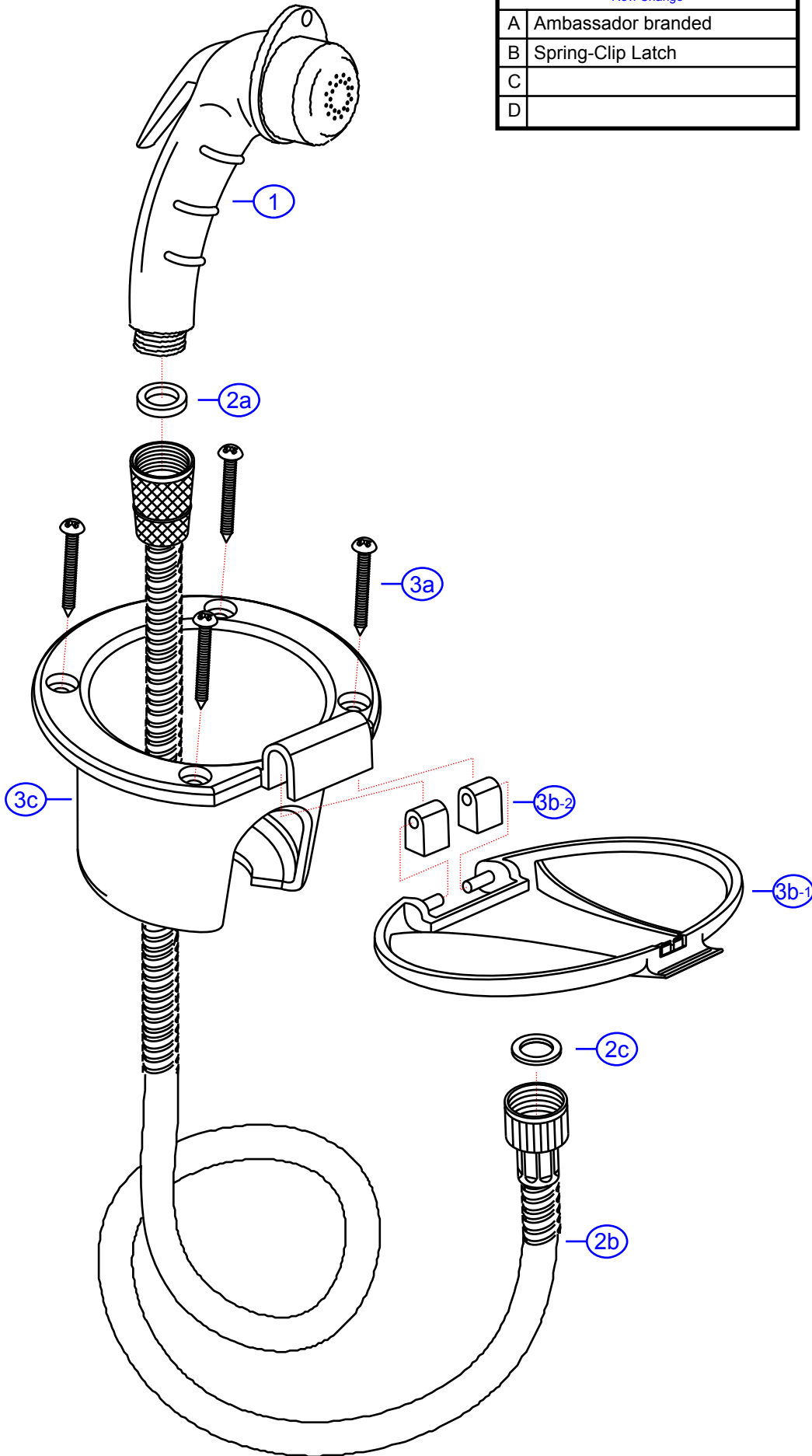
A	Ambassador branded
B	Spring-Clip Latch
C	
D	

# 136-0048-xx

by Associated Marketing Concepts  
www.ambassadormarine.com  
(800) 270-4262

**Ambassador**  
MARINE

Rev #	B	Package Style	OEM	Model #	136-0048-xx
Vendor #			N/A	Series	Universal
Drawn By	SS		Approved/Modified	Type	Recessed Shower
			9/18/12		



NOT DRAWN TO SCALE

