

Rev. Change

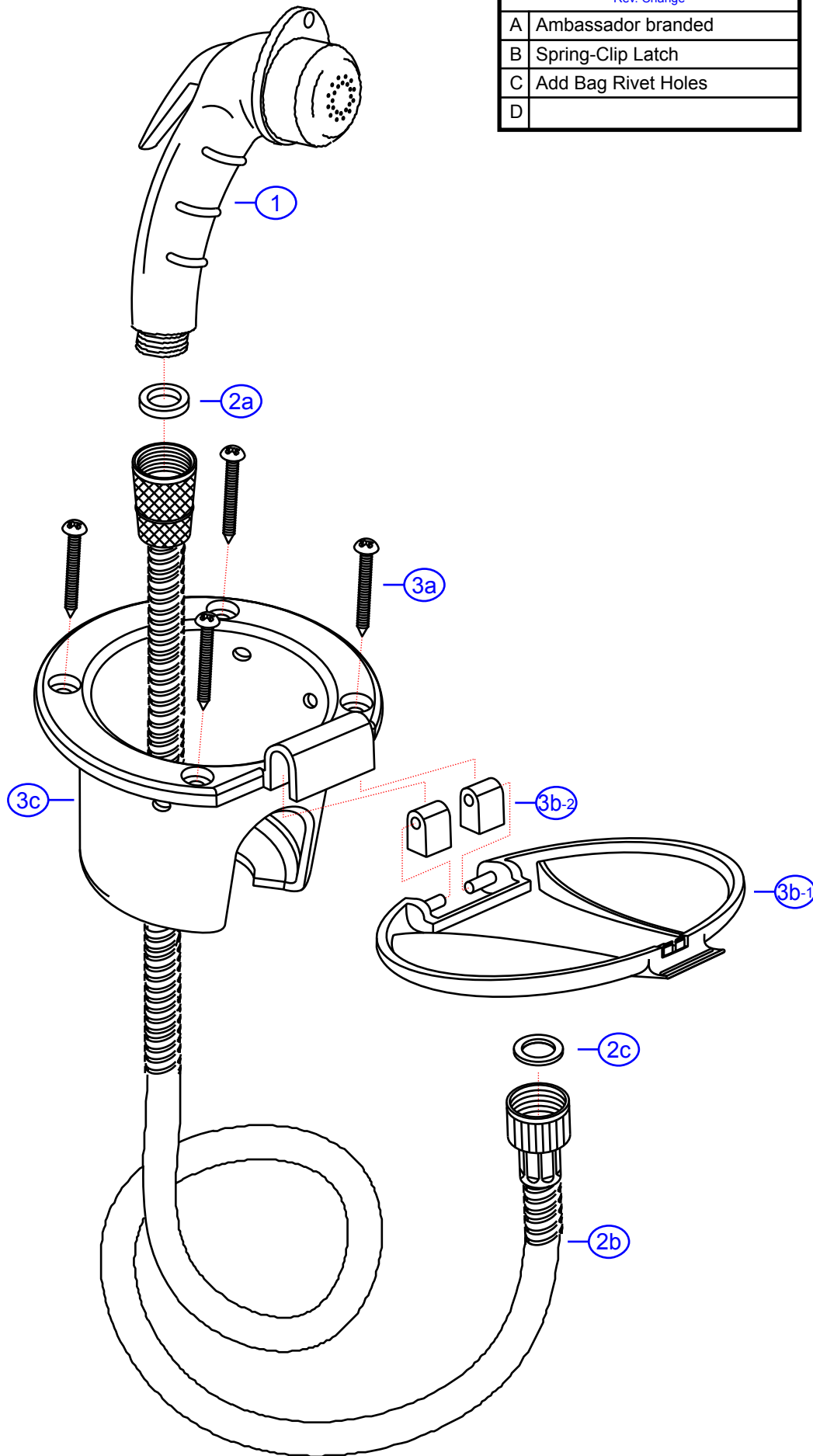
A	Ambassador branded
B	Spring-Clip Latch
C	Add Bag Rivet Holes
D	

136-0048-xx

by Associated Marketing Concepts
www.ambassadormarine.com
(800) 270-4262

Ambassador
MARINE

Rev #	C	Package Style	OEM	Model #	136-0048-xx
Vendor #	N/A	Series	Universal	Type	Recessed Shower
Drawn By	SS	Approved/Modified	9/18/12		



NOT DRAWN TO SCALE

136-0048-xx

Universal
 Recessed Shower (Stainless Lid / Plastic Cup)
 Rev. C



#	Description	Part #	Finish Code Suffix (i.e. EA-123456CP)						Qty
			CP	KP	WH				
1	Small Sprayer (with hook) see "Individual Sprayer" for sprayer assembly breakdown	138-0000-__	CP	KP	WH				1
2	6' Stainless Steel Hose Assembly	130-0033-__	SS	SS	SS				1
2a	Washer (2.3 mm)	E-088007							1
2b	6' Stainless Steel Hose	E-xxxx*	SS	SS	SS				1
2c	Washer (1.5 mm)	E-088008							1
3	Cup & Lid Assembly (stainless lid / plastic cup)	136-0015-__	CP	KP	WH				1
3a	Mounting Screw	E-075022							4
3b	Lid Assembly (w/spring clip latch) (stainless steel)	TRA-1004-__	SS	SS	SS				1
3b-1	Lid (w/spring clip latch) (stainless steel)	TRS-0006-__*	SS	SS	SS				1
3b-2	Hinge Insert	TRS-0001							2
3c	Cup (plastic)	E-126224	CP	KP	WH				1

* - Part is not available individually. "Assembled" item is required.

All sub-components included within assembly (i.e. "1" includes "1a", "1b", "1c", etc.)

Revised 9/19/2012