

REV. CHANGE	
A	Ambassador Branded
B	Spring-Clip Latch
C	Add Bag Rivet Holes
D	Add Cup Bottom Ring
E	Refreshed

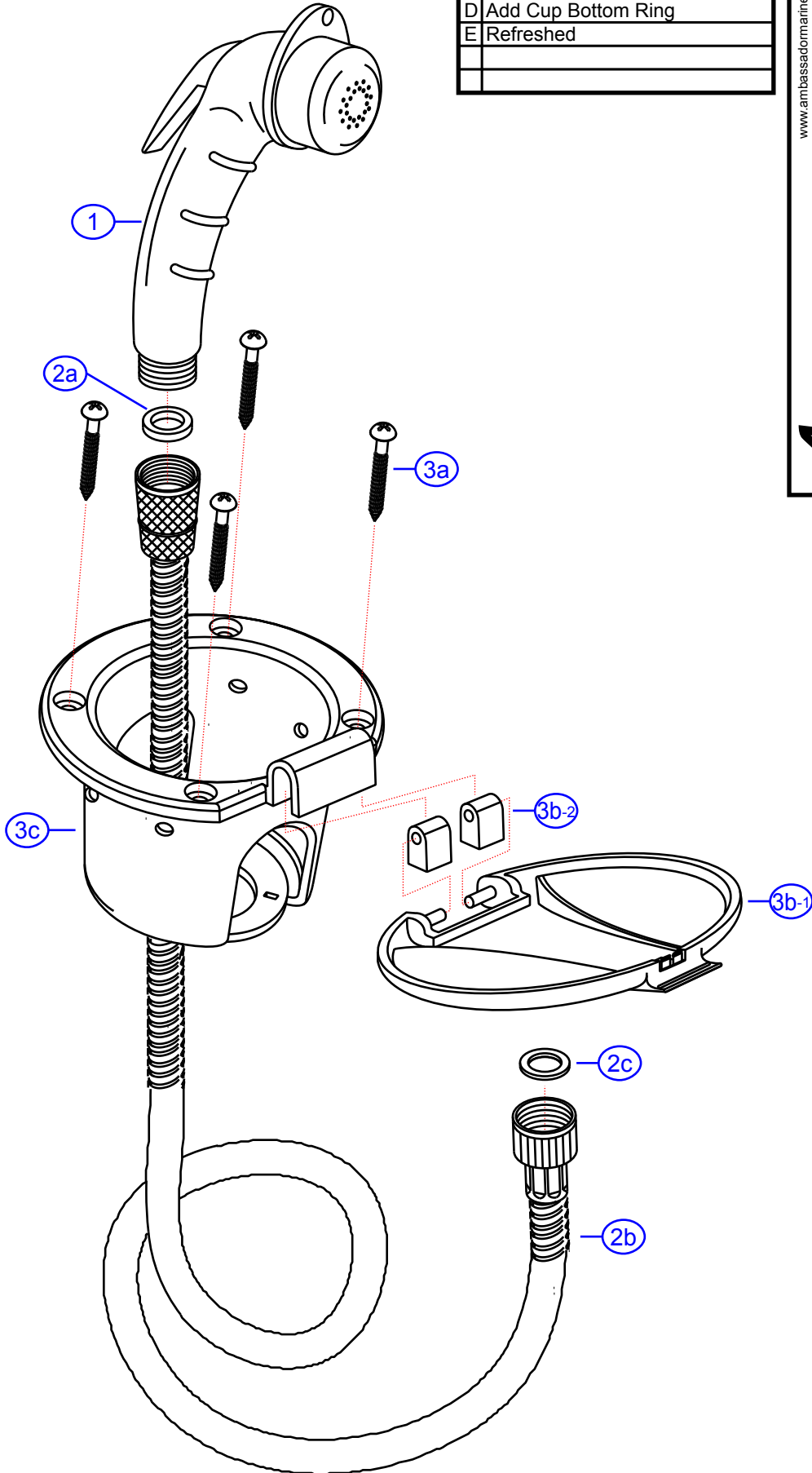
**136-0048-xx**

www.ambassadormarine.com  
800.270.4262

© Ambassador Marine, Inc.

**Ambassador**  
MARINE

Rev #	E	Package Style	OEM	Model #	<b>136-0048-xx</b>
ERP #	N/A	Approved/Modified	04/28/2020	Series	Universal
Drawn By	SS	Type	Recessed Shower		



NOT DRAWN TO SCALE

**136-0048-xx**



Universal  
 Recessed Shower (Stainless Steel Lid / Plastic Cup)  
 Rev. E

(800) 270-4262  
 www.ambassadormarine.com

#	Description	Qty	Part #	Finish Code Suffix <small>(i.e. EA-123456CP)</small>					Material
				AW	CP	KP	WH		
1	Small Sprayer (with Hook) see "Individual Sprayer" for sprayer assembly breakdown	1	138-0000-__	AW	CP	KP	WH		-
2	6' Stainless Steel Hose Assembly	1	130-0033-__	SS	SS	SS	SS		-
2a	Washer	1	L-024132						NBR
2b	6' Stainless Steel Hose	1	L-300239*	CP	CP	CP	CP		-
2c	Washer	1	L-024132						NBR
3	Recessed Cup & Lid Set (stainless lid / plastic cup)	1	136-0015-__	AW	CP	KP	WH		-
3a	Mounting Screw	4	L-SH4001						SUS304
3b	Lid Assembly (w/spring clip latch) (stainless steel)	1	TRA-1004-__	SS	SS	SS	SS		-
3b-1	Lid (w/spring clip latch) (stainless steel)	1	TRS-0006-	SS	SS	SS	SS		SUS316
3b-2	Hinge Inserts	2	TRS-0001						NBR
3c	Recessed Cup (plastic)	1	L-SH4002	AW	CP	KP	WH		ABS (3% UV)

\* - Part is not available individually. "Assembled" item is required.