

REV. CHANGE

A	Ambassador Branded
B	Spring-Clip Latch
C	Add Bag Rivet Holes
D	Add Cup Bottom Ring
E	Refreshed
F	Gasket Lid / Cup Lip

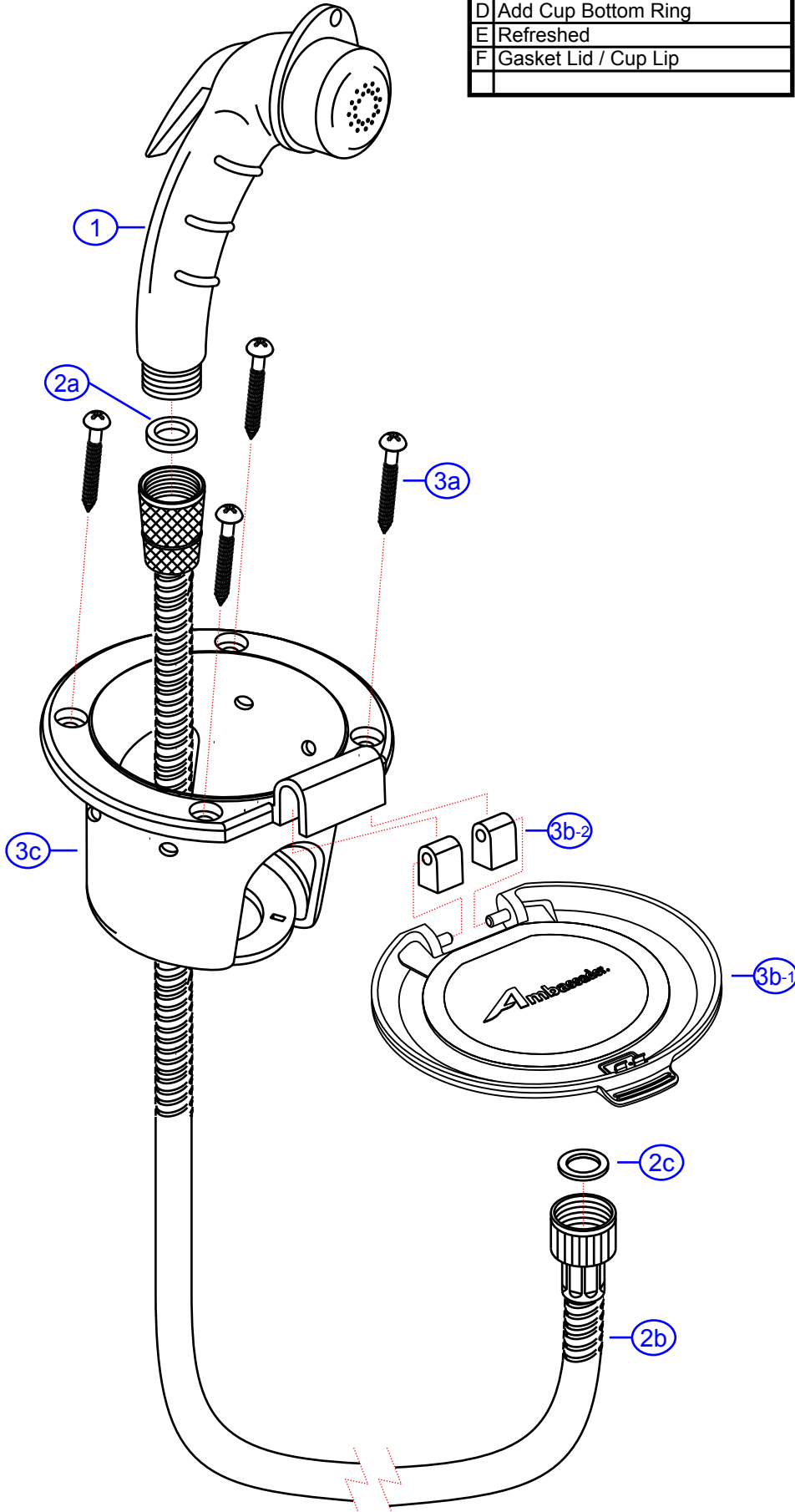
136-0048-xx

www.ambassadormarine.com
800.270.4262

© Ambassador Marine, Inc.

Ambassador
MARINE

Rev #	F	Package Style	OEM	Model #	136-0048-xx
ERP #	N/A	Approved/Modified	01/29/2024	Series	Universal
Drawn By	SS	Type	Recessed Shower		



NOT DRAWN TO SCALE

136-0048-xx

Universal

Recessed Shower (Stainless Steel Lid / Plastic Cup)

Rev. F



(800) 270-4262

www.ambassadormarine.com

#	Description	Qty	Part #	Finish Code Suffix (i.e. EA-123456CP)					Material
				AW	CP	KP	WH		
1	Small Sprayer (with Hook) see "Individual Sprayer" for sprayer assembly break	1	138-0000- __	AW	CP	KP	WH		-
2	6' Stainless Steel Hose Assembly	1	130-0033- __	SS	SS	SS	SS		-
2a	Washer	1	L-024132						NBR
2b	6' Stainless Steel Hose	1	L-300239*	CP	CP	CP	CP		-
2c	Washer	1	L-024132						NBR
3	Recessed Cup & Lid Set (stainless lid / plastic cup)	1	136-0015- __	AW	CP	CP	KP		-
3a	Mounting Screw	4	L-SH4001						SUS304
3b	Lid Assembly (w/spring clip latch & gasket) (stainles	1	TRA-1006- _	SS	SS	SS	SS		-
3b-1	Lid (w/spring clip latch & gasket) (stainless steel) see "136-0015-xx" for Lid components breakdown	1	TRS-0007-	SS	SS	SS	SS		-
3b-2	Hinge Inserts	2	TRS-0001						NBR
3c	Recessed Cup (plastic - w/lip)	1	L-SH4002	AW	CP	KP	WH		ABS (3% UV)

* - Part is not available individually. "Assembled" item is required.