

136-0209-xx

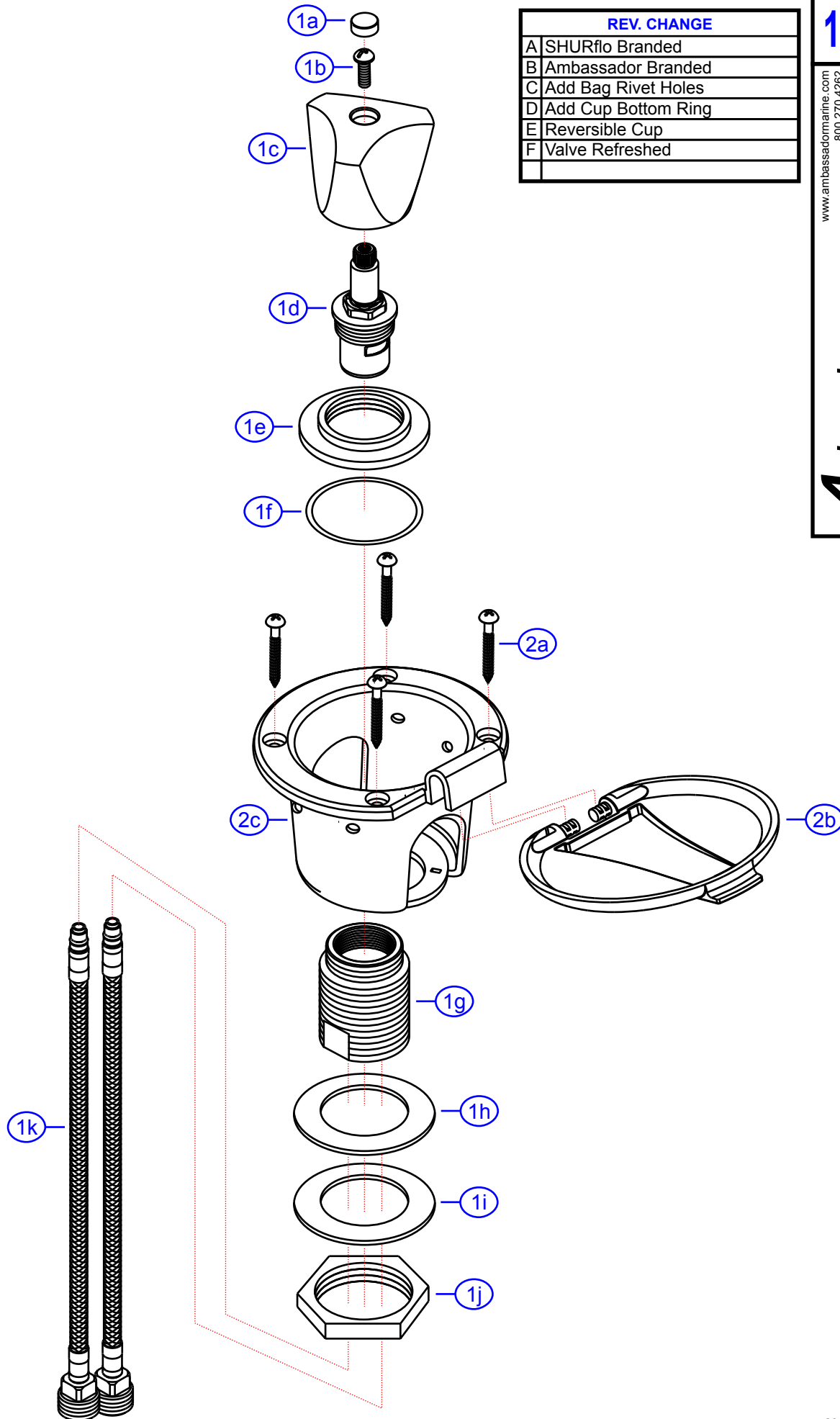
www.ambassadormarine.com
800.270.4262

© Ambassador Marine, Inc.

Ambassador
MARINE

Rev #	F	Package Style	OEM	Model #	136-0209-xx
ERP #				Series	Trinidad
Drawn By	SS		N/A	Type	Recessed Shut-Off Valve
				Approved/Modified	07/12/2024

REV. CHANGE	
A	SHURflo Branded
B	Ambassador Branded
C	Add Bag Rivet Holes
D	Add Cup Bottom Ring
E	Reversible Cup
F	Valve Refreshed



NOT DRAWN TO SCALE

