

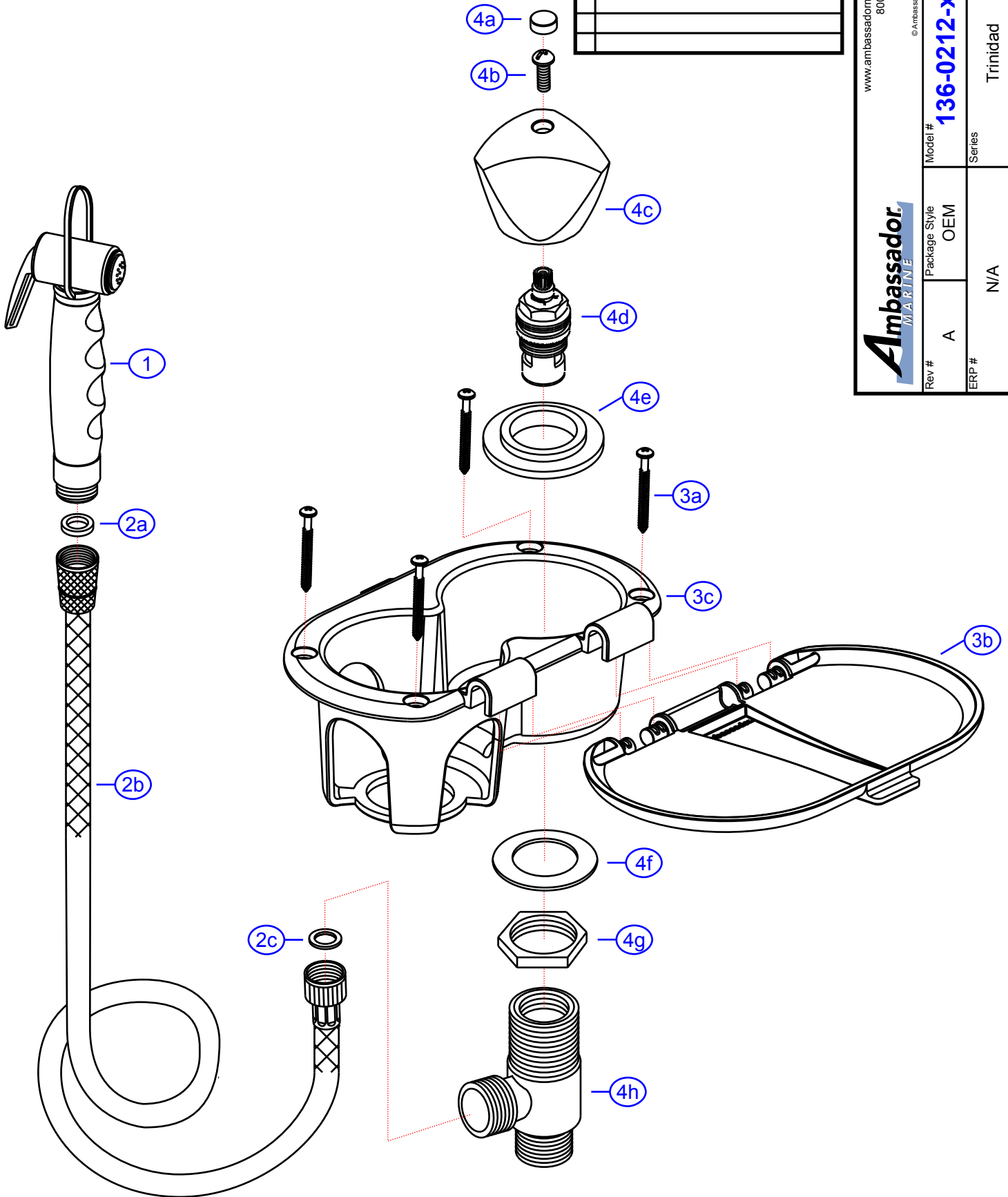
REV. CHANGE	
A	Ambassador Branded

136-0212-xx

www.ambassadormarine.com
800.270.4262

Rev #	A	Package Style	OEM	Model #	136-0212-xx	
	ERP #		N/A		Series	Trinidad
Drawn By	SS	Approved/Modified	12/08/2021	Type	Transom Shower (Cold Only)	

Ambassador
MARINE



NOT DRAWN TO SCALE

136-0212-xx

Trinidad
 Transom Shower (Cold Only)
 Rev. A



(800) 270-4262

www.ambassadormarine.com

#	Description	Qty	Part #	Finish Code Suffix (i.e. EA-123456CP)					Material
				AW	CA	CP	CW	WH	
1	Hammer-Head Sprayer (with Hook) see "Individual Sprayer" for sprayer assembly breakdown	1	138-0300-__	CA	CA	CP	CW	WH	-
2	6' Rubber Hose Assembly	1	130-0033-__	WH	WH	KP	WH	WH	-
2a	Washer	1	L-024132						NBR
2b	6' Rubber Hose	1	L-300229*	WH	WH	KP	WH	WH	-
2c	Washer	1	L-024132						NBR
3	Transom Shower Cup & Lid Set (All Plastic)	1	136-0010-__	AW	CP	CP	CP	WH	-
3a	Mounting Screw	4	L-SH4001						SUS304
3b	Lid (Plastic)	1	L-SH5001	AW	CP	CP	CP	WH	ABS (3% UV)
3c	Dual Cup	1	L-SH5002	AW	CP	CP	CP	WH	ABS (3% UV)
4	Trinidad- Shut-Off Valve (Cold)	1	136-0204-__	CP	CP	CP	CP	CP	-
4a	Blue Cap	1	E-028109C						ABS
4b	Handle Screw	1	E-008154						SUS304
4c	Trinidad Handle	1	E-029124	CP	CP	CP	CP	CP	ZnA14
4d	Ceramic Disk Cartridge	1	E-507175N						-
4e	Escutcheon	1	E-034114	CP	CP	CP	CP	CP	-
4f	Metal Washer	1	E-013211						-
4g	Lock Nut	1	E-009135						-
4h	Valve Body	1	E-002852N						-

* - Part is not available individually. "Assembled" item is required.