

136-0212-xx

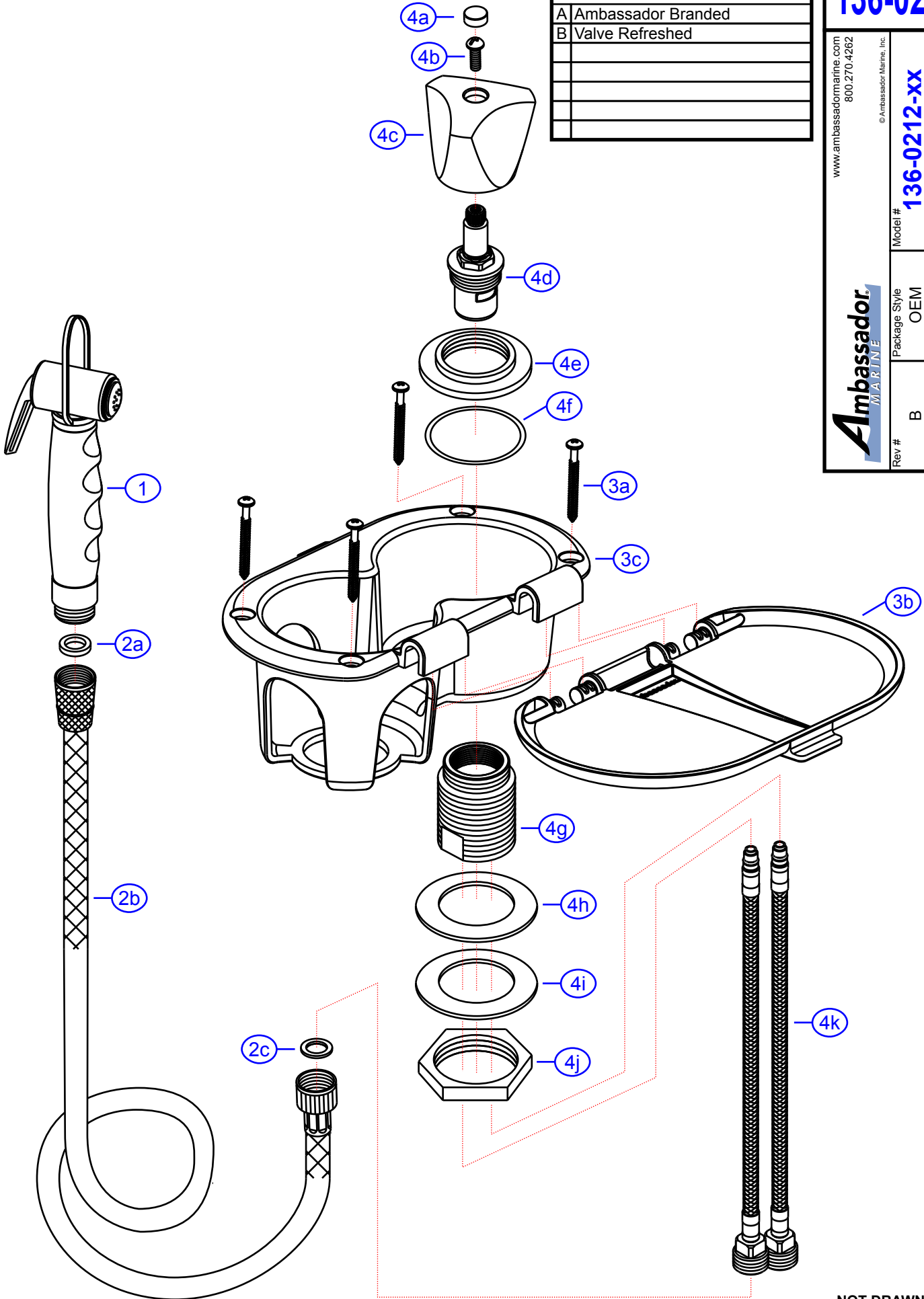
www.ambassadormarine.com
800.270.4262

© Ambassador Marine, Inc.

Ambassador MARINE

Rev #	B	Package Style	OEM	Model #	136-0212-xx
ERP #				Series	Trinidad
Drawn By	SS		N/A	Type	Transom Shower (Cold Only)
			Approved/Modified		07/12/2024

REV. CHANGE	
A	Ambassador Branded
B	Valve Refreshed



NOT DRAWN TO SCALE

