

136-0212-xx

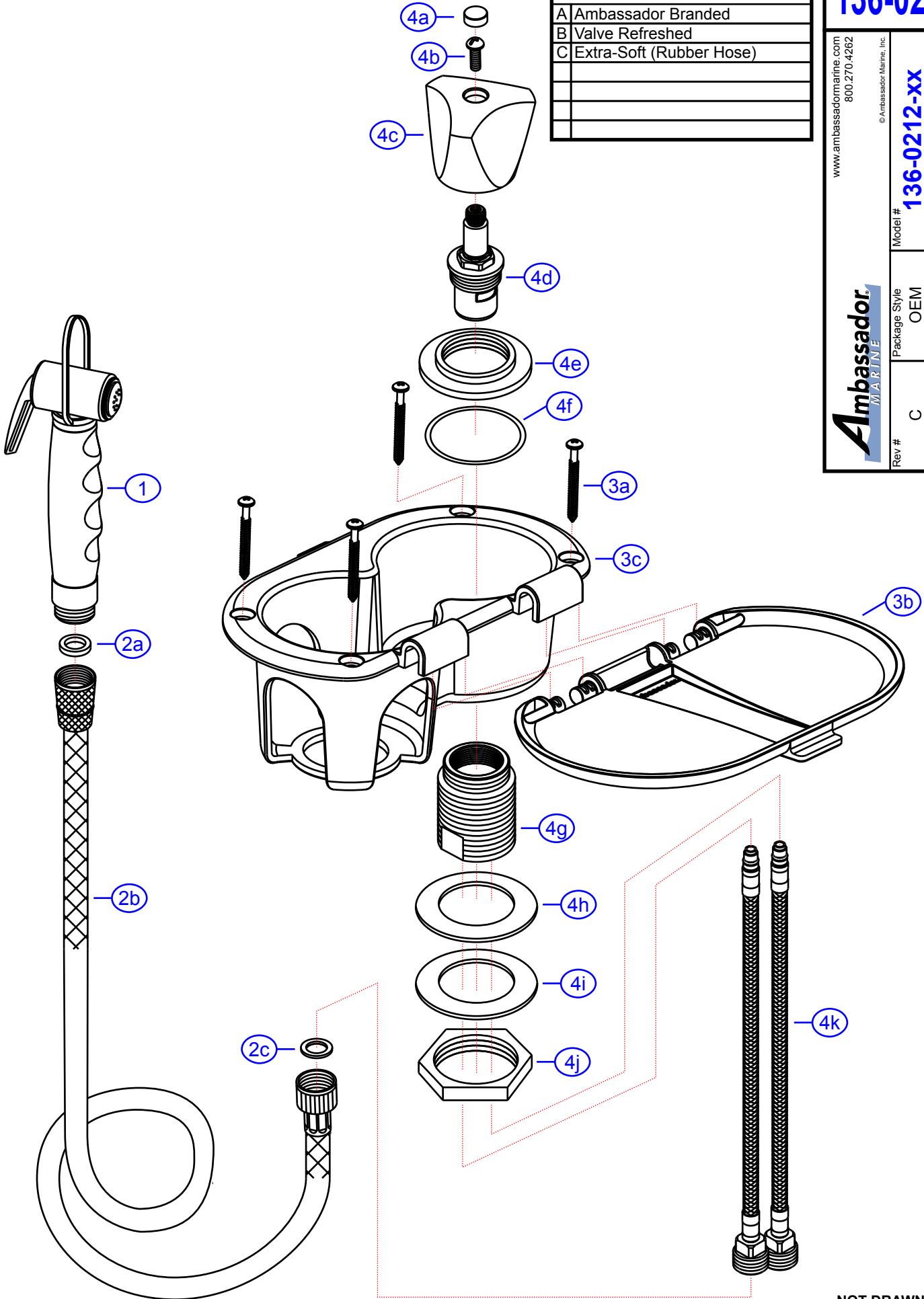
www.ambassadormarine.com
800.270.4262

© Ambassador Marine, Inc.

Ambassador
MARINE

Rev #	C	Package Style	OEM	Model #	136-0212-xx
ERP #			N/A	Series	Trinidad
Drawn By	SS	Approved/Modified	05/17/2026	Type	Transom Shower (Cold Only)

REV. CHANGE	
A	Ambassador Branded
B	Valve Refreshed
C	Extra-Soft (Rubber Hose)



NOT DRAWN TO SCALE

