

Rev. Change

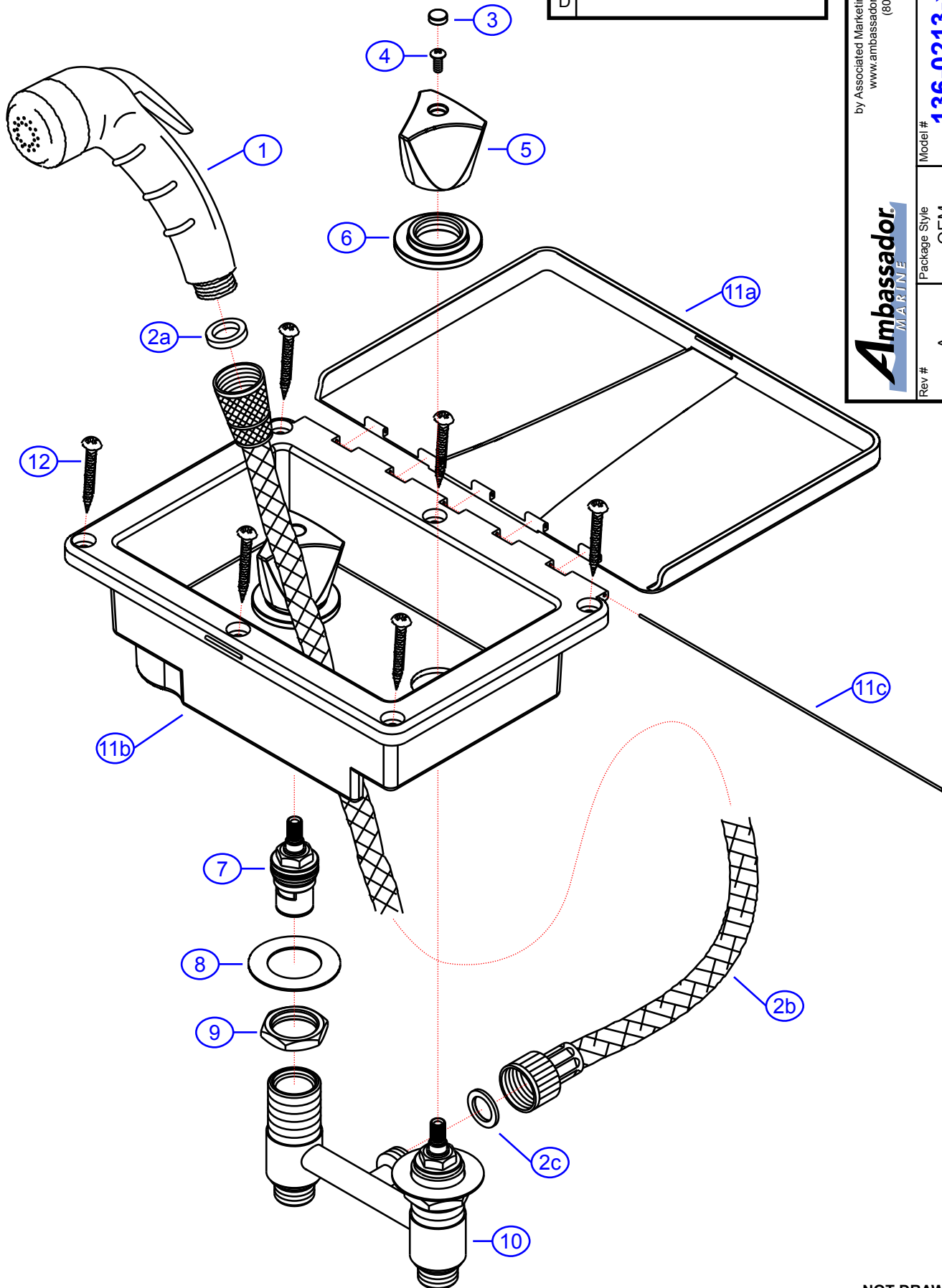
A	Ambassador branded
B	
C	
D	

136-0213-xx

by Associated Marketing Concepts
www.ambassadormarine.com
(800) 270-4262

Ambassador
MARINE

Rev #	A	Package Style	OEM	Model #	136-0213-xx
Vendor #				Series	Trinidad
Drawn By	SS		N/A	Type	2-H H/C Transom Shower
			Approved/Modified		12/27/11



NOT DRAWN TO SCALE

136-0213-xx

Trinidad
 2-H Hot/Cold Transom Shower
 Rev. A



#	Description	Part #	Finish Code Suffix (i.e. EA-123456CP)						Qty
			CW	CK					
1	Small Sprayer (no hook) see "Individual Sprayer" for sprayer assembly breakdown	138-0001-__	WH	KP					1
2	10' Rubber Hose Assembly	130-0018-__	KP	KP					1
2a	Washer (2.3 mm)	E-088007							1
2b	10' Rubber Hose	E-xxxx*	WH	KP					1
2c	Washer (1.5 mm)	E-088008							1
3	Blue Cap	E-028109C							1
	Red Cap	E-028109H							1
4	Screw	E-008154							2
5	Trinidad Handle	E-029124	CP	CP					2
6	Escutcheon	E-034114	CP	CP					2
7	Ceramic Disk Cartridge (Hot)	E-507175N							1
	Ceramic Disk Cartridge (Cold)	E-507176N							1
8	Metal Washer	E-013211							2
9	Lock Nut	E-009135							2
10	Valve Body	E-061594N							1
11	Transom Box (all plastic, 2-hole valve) Assembly	EA-540198	WH	KP					1
11a	Lid (plastic)	E-xxxx*	WH	KP					1
11b	Box (plastic)	E-xxxx*	WH	KP					1
11c	Hinge Rod	E-xxxx*							1
12	Mounting Screw	E-075022							6

* - Part is not available individually. "Assembled" item is required.

All sub-components included within assembly (i.e. "1" includes "1a", "1b", "1c", etc.)

Revised

4/29/2012