

# 136-0214-xx

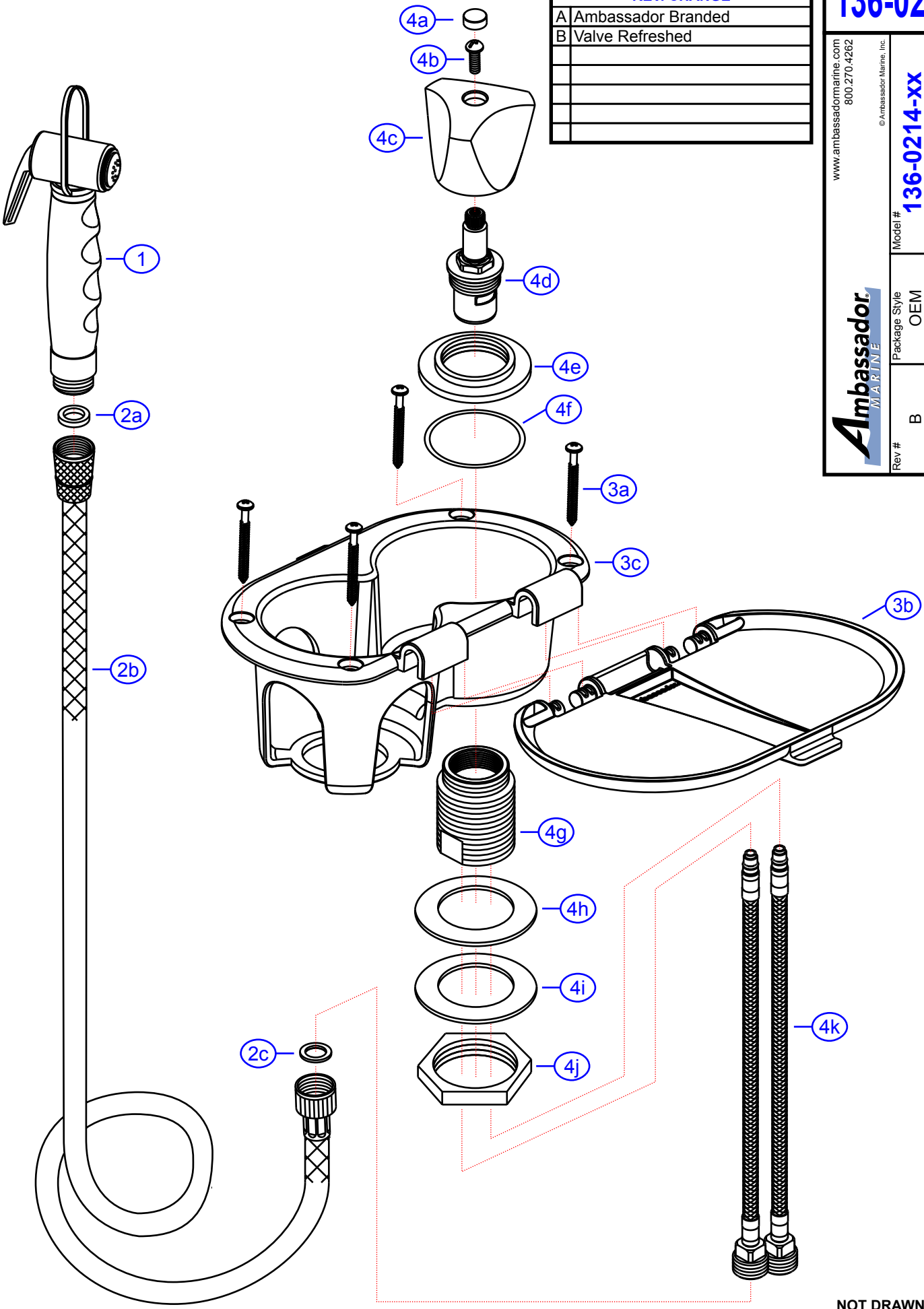
www.ambassadormarine.com  
800.270.4262

© Ambassador Marine, Inc.

**Ambassador**  
MARINE

Rev #	B	Package Style	OEM	Model #	<b>136-0214-xx</b>
ERP #				Series	Trinidad
Drawn By	SS		N/A	Type	Transom Shower (Cold Only)
		Approved/Modified	07/12/2024		

REV. CHANGE	
A	Ambassador Branded
B	Valve Refreshed



NOT DRAWN TO SCALE

