

REV. CHANGE	
A	Ambassador Branded

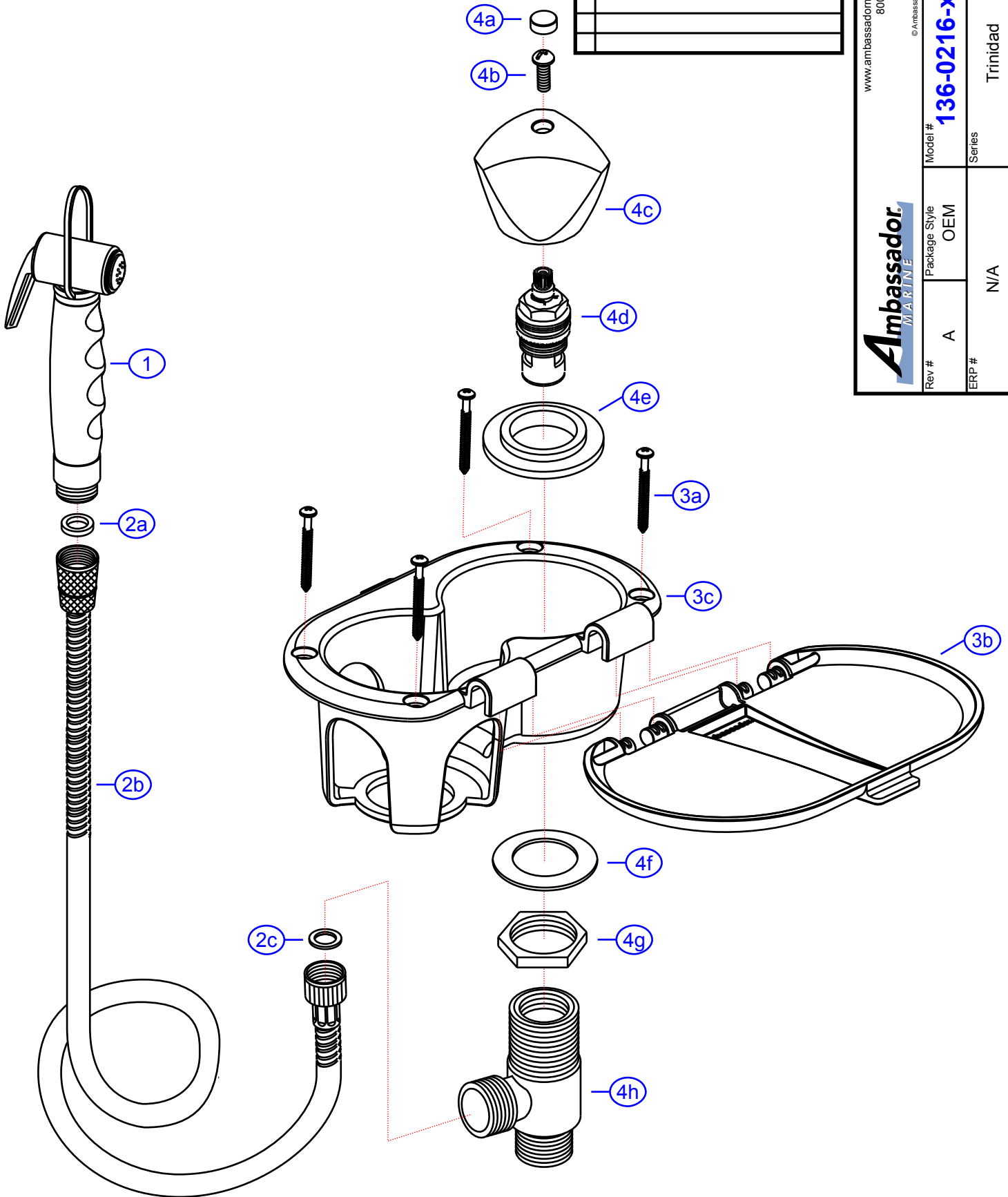
**136-0216-xx**

www.ambassadormarine.com  
800.270.4262

© Ambassador Marine, Inc.

**Ambassador**  
MARINE

Rev #	A	Package Style	OEM	Model #	<b>136-0216-xx</b>
ERP #			N/A	Series	Trinidad
Drawn By	SS	Approved/Modified	12/08/2021	Type	Transom Shower (Cold Only)



NOT DRAWN TO SCALE

**136-0216-xx**

Trinidad

Transom Shower (Cold Only)

Rev. A



(800) 270-4262

www.ambassadormarine.com

#	Description	Qty	Part #	Finish Code Suffix (i.e. EA-123456CP)					Material
				AW	CA	CP	CW	WH	
1	Hammer-Head Sprayer (with Hook)	1	138-0300-__	CA	CA	CP	CW	WH	-
	see "Individual Sprayer" for sprayer assembly breakdown								
2	6' Stainless Steel Hose Assembly	1	130-0033-__	SS	SS	SS	SS	SS	-
2a	Washer	1	L-024132						NBR
2b	6' Stainless Steel Hose	1	L-300229*	CP	CP	CP	CP	CP	-
2c	Washer	1	L-024132						NBR
3	Transom Shower Cup & Lid Set (All Plastic)	1	136-0010-__	AW	CP	CP	CP	WH	-
3a	Mounting Screw	4	L-SH4001						SUS304
3b	Lid (Plastic)	1	L-SH5001	AW	CP	CP	CP	WH	ABS (3% UV)
3c	Dual Cup	1	L-SH5002	AW	CP	CP	CP	WH	ABS (3% UV)
4	Trinidad- Shut-Off Valve (Cold)	1	136-0204-__	CP	CP	CP	CP	CP	-
4a	Blue Cap	1	E-028109C						ABS
4b	Handle Screw	1	E-008154						SUS304
4c	Trinidad Handle	1	E-029124	CP	CP	CP	CP	CP	ZnA14
4d	Ceramic Disk Cartridge	1	E-507175N						-
4e	Escutcheon	1	E-034114	CP	CP	CP	CP	CP	-
4f	Metal Washer	1	E-013211						-
4g	Lock Nut	1	E-009135						-
4h	Valve Body	1	E-002852N						-

\* - Part is not available individually. "Assembled" item is required.

**All sub-components included within assembly (i.e. "1" includes "1a", "1b", "1c", etc.)**

Revised: 12/8/2021