

REV. CHANGE

A Ambassador Branded

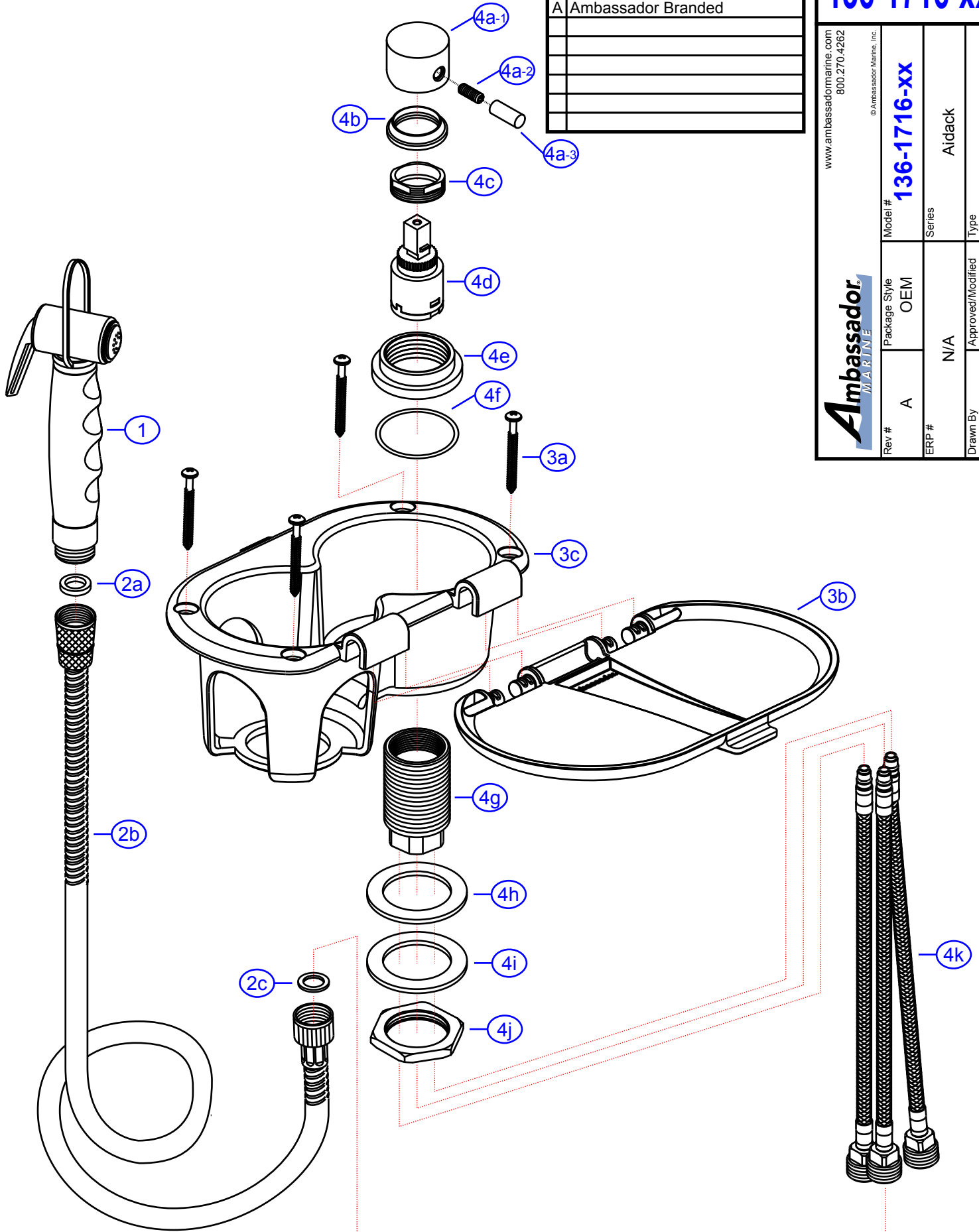
136-1716-xx

www.ambassadormarine.com
800.270.4262

© Ambassador Marine, Inc.

Ambassador
MARINE

Rev #	A	Package Style	OEM	Model #	136-1716-xx
ERP #			N/A	Series	Aidack
Drawn By	SS	Approved/Modified	12/07/2021	Type	Transom Shower (Hot/Cold Mixer)



NOT DRAWN TO SCALE

