

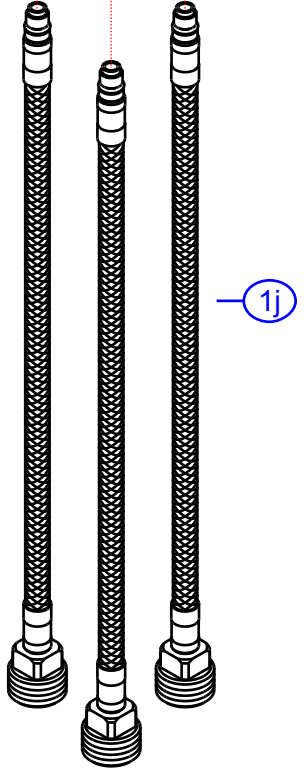
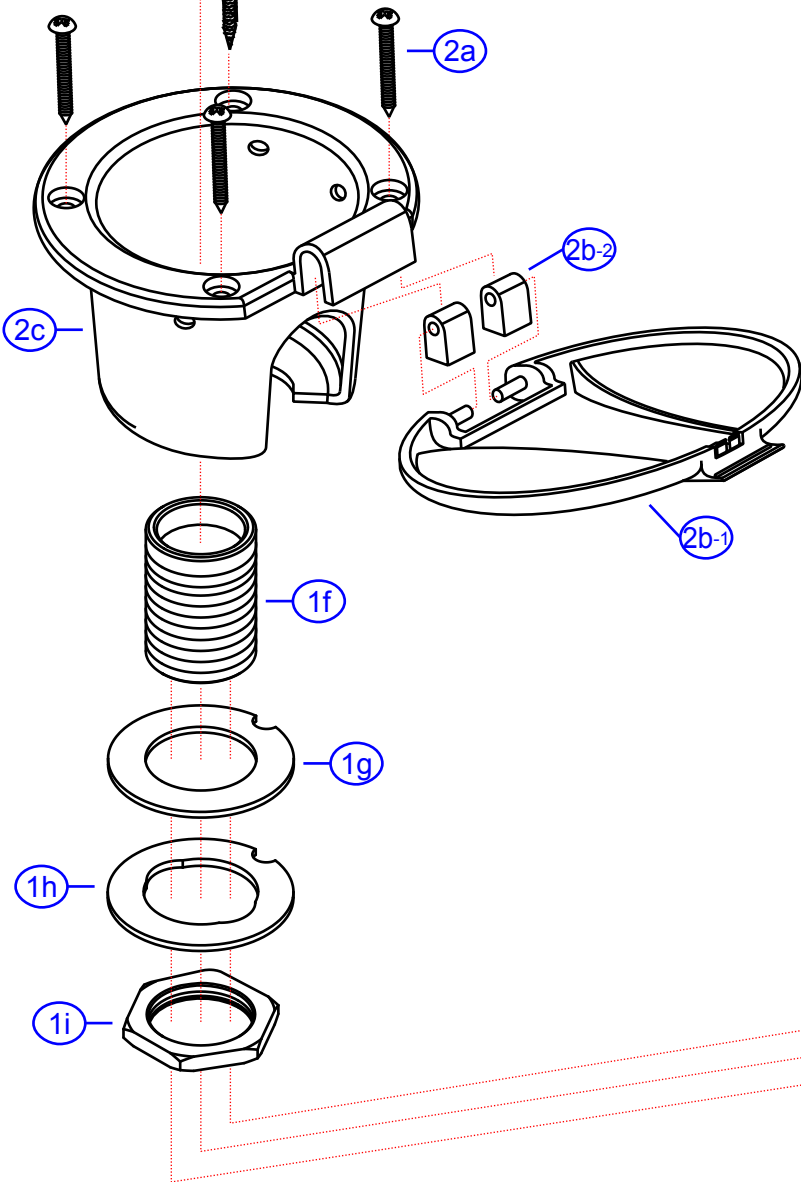
Rev. Change	
A	Ambassador branded
B	Add Bag Rivet Holes
C	
D	

136-1741-xx

by Associated Marketing Concepts
www.ambassadormarine.com
(800) 270-4262

Ambassador
MARINE

Rev #	B	Package Style	OEM	Model #	136-1741-xx	Series	Aidack
Vendor #			N/A				Recessed Shut-Off Valve / Mixer
Drawn By	SS	Approved/Modified	03/29/13				



NOT DRAWN TO SCALE

136-1741-xx

Aidack

Recessed Shut-Off Valve / Mixer (Hot/Cold)

Rev. B



#	Description	Part #	Finish Code Suffix						Qty
			(i.e. EA-123456CP)						
			CK	CP	CW				
1	Aidack Shut-Off Valve / Mixer (Hot/Cold)	136-1706-__	CP	CP	CP				1
1a	Aidack Handle Assembly	EA-66E854	CP	CP	CP				
1a-1	Aidack Handle Canopy	E-215046*	CP	CP	CP				1
1a-2	Set Screw	E-292540							1
1a-3	Aidack Handle Tip	E-108054	CP	CP	CP				1
1b	Cap	E-016004	CP	CP	CP				1
1c	Ceramic Disk Cartridge	E-507906N							1
1d	Escutcheon	E-104211	CP	CP	CP				1
1e	Gasket	E-048054							1
1f	Valve Body	E-002452N							1
1g	Rubber Washer	E-010021							1
1h	Metal Washer	E-013110							1
1i	Lock Nut	E-009026							1
1j	Connector Hose (Blue)	E-105815W							2
	Connector Hose (Red)	E-105816W							1
2	Cup & Lid Assembly (stainless lid / plastic cup)	136-0015-__	KP	CP	WH				1
2a	Mounting Screw	E-075022							4
2b	Lid Assembly (w/spring clip latch) (stainless steel)	TRA-1004-__	SS	SS	SS				1
2b-1	Lid (w/spring clip latch) (stainless steel)	TRS-0006-__*	SS	SS	SS				1
2b-2	Hinge Insert	TRS-0001							2
2c	Cup (plastic)	E-126224	KP	CP	WH				1

* - Part is not available individually. "Assembled" item is required.

All sub-components included within assembly (i.e. "1" includes "1a", "1b", "1c", etc.)

Revised

3/29/2013