

Rev. Change

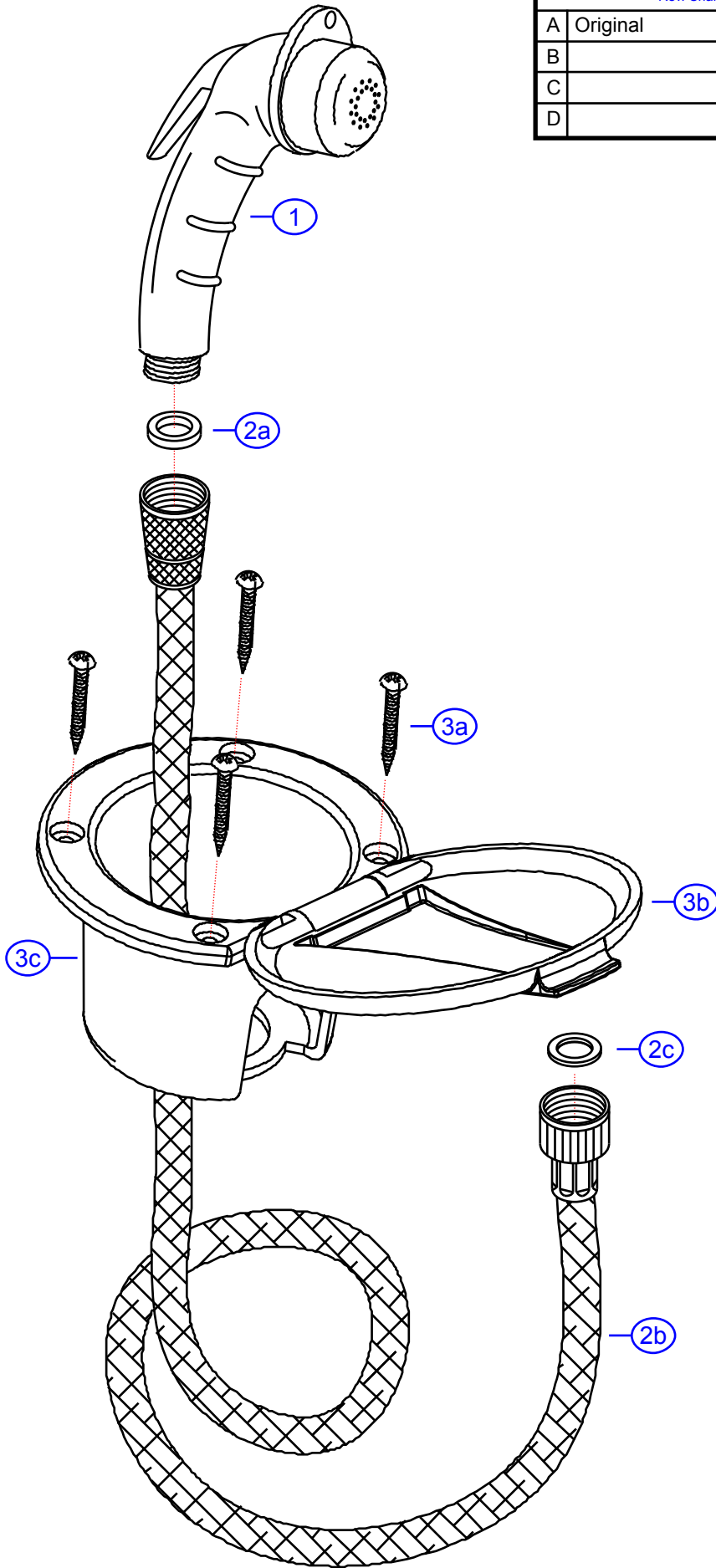
A	Original
B	
C	
D	

# 137-0000-xx

SHURflo Marine Grade Faucets  
5900 Katella Ave., Cypress, CA 90630  
800.854.3218 • 562.795.5200 • Fax 562.795.7564  
www.shurflo.com



Rev #	A	Package Style	Aftermarket	Model #	<b>137-0000-xx</b>
Vendor #	S2210205xx-ASB8	Series	Universal		
Drawn By	SS	Approved/Modified	12/17/09	Type	Recessed Shower



NOT DRAWN TO SCALE

