

Rev. Change

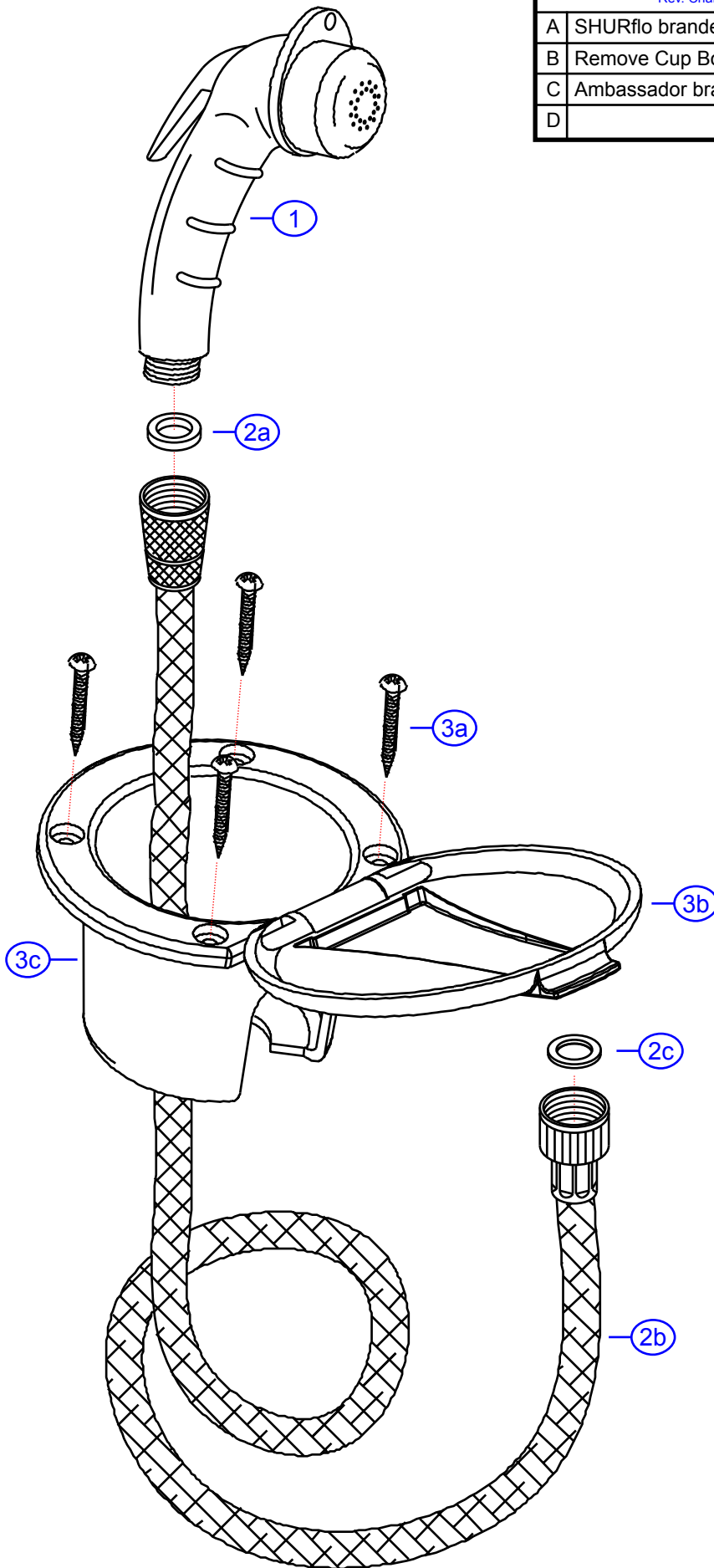
A	SHURflo branded
B	Remove Cup Bottom Ring
C	Ambassador branded
D	

# 137-0000-xx

by Associated Marketing Concepts  
www.ambassadormarine.com  
(800) 270-4262

**Ambassador**  
MARINE

Rev #	C	Package Style	Aftermarket	Model #	<b>137-0000-xx</b>
Vendor #	S2210205xx-ASB6	Series	Universal		
Drawn By	SS	Approved/Modified	10/05/11	Type	Recessed Shower



NOT DRAWN TO SCALE

