

REV. CHANGE	
A	SHURflo Branded
B	Remove Cup Bottom Ring
C	Ambassador Branded
D	Add Bag Rivet Holes
E	Add Cup Bottom Ring
F	Refreshed

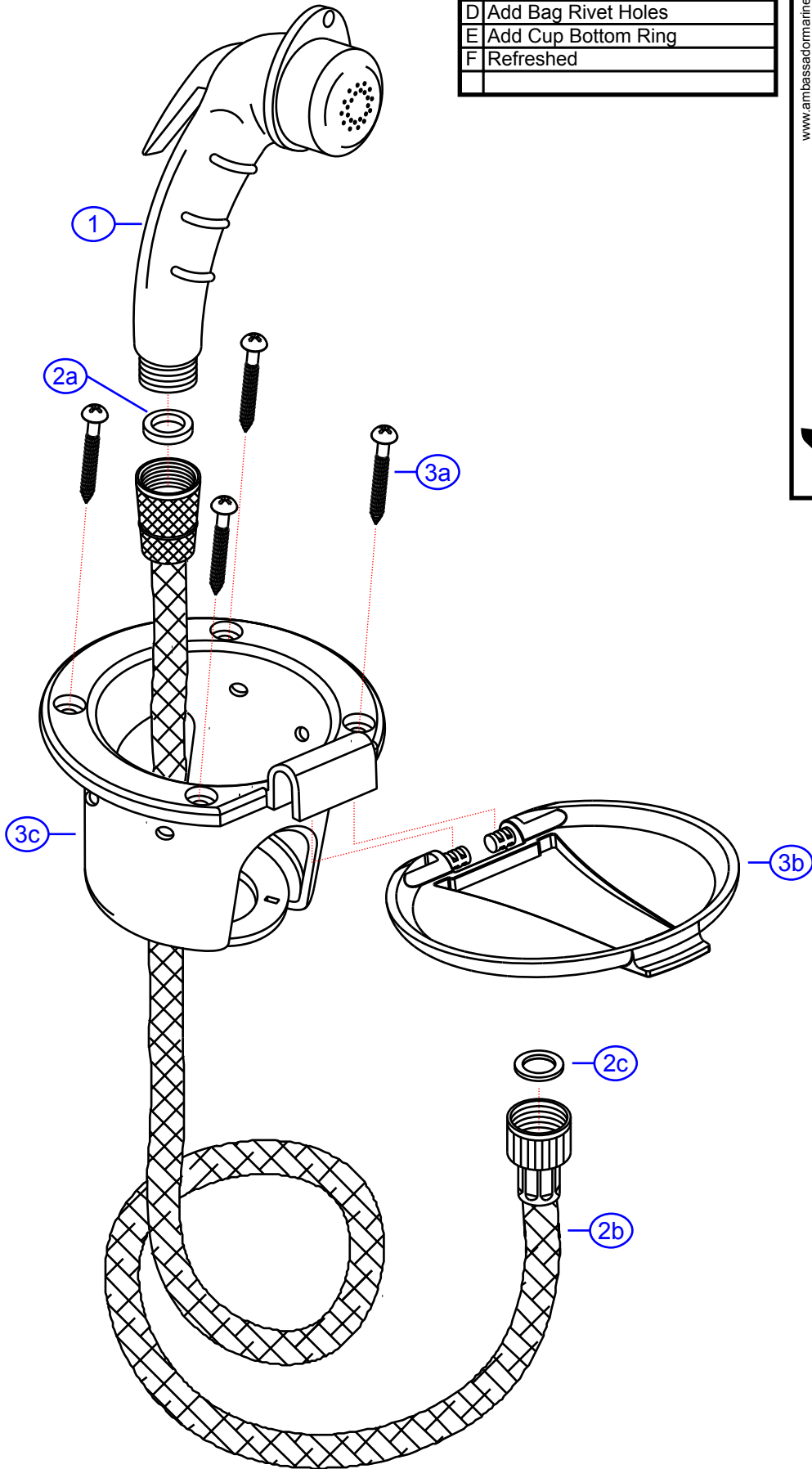
137-0000-xx

www.ambassadormarine.com
800.270.4262

© Ambassador Marine, Inc.

Ambassador
MARINE

Rev #	F	Package Style	Aftermarket	Model #	137-0000-xx
ERP #			N/A	Series	Universal
Drawn By	SS			Approved/Modified	12/02/22
				Type	Recessed Shower



NOT DRAWN TO SCALE

