

REV. CHANGE	
A	SHURflo Branded
B	Remove Cup Bottom Ring
C	Ambassador Branded
D	Add Bag Rivet Holes
E	Add Cup Bottom Ring
F	Refreshed
G	Extra-Soft (Rubber Hose)

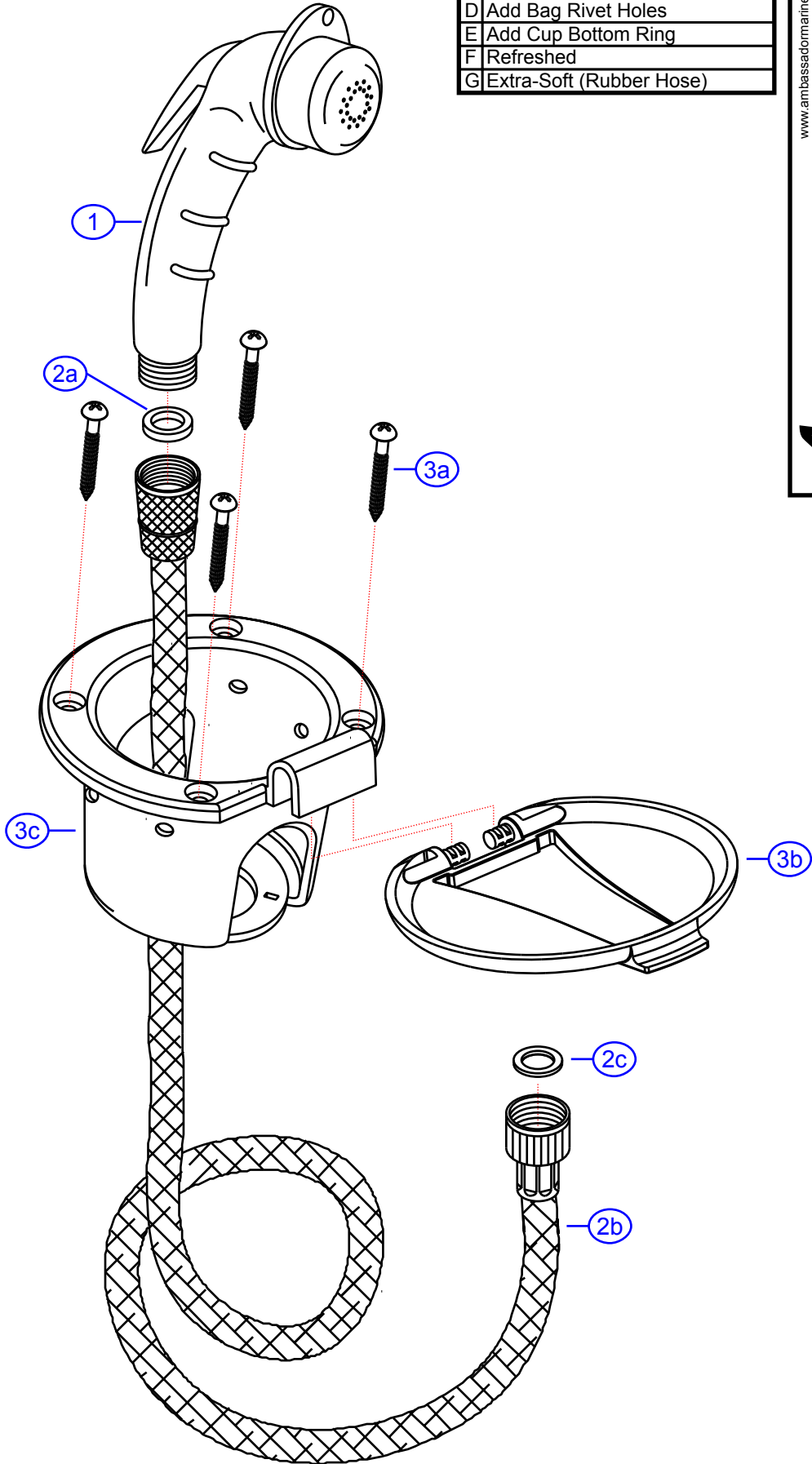
137-0000-xx

www.ambassadormarine.com
800.270.4262

© Ambassador Marine, Inc.

Ambassador
MARINE

Rev #	G	Package Style	Aftermarket	Model #	137-0000-xx
ERP #			N/A	Series	Universal
Drawn By	SS	Approved/Modified	05/17/2026	Type	Recessed Shower



NOT DRAWN TO SCALE

