

Rev. Change

A	Ambassador branded
B	
C	
D	

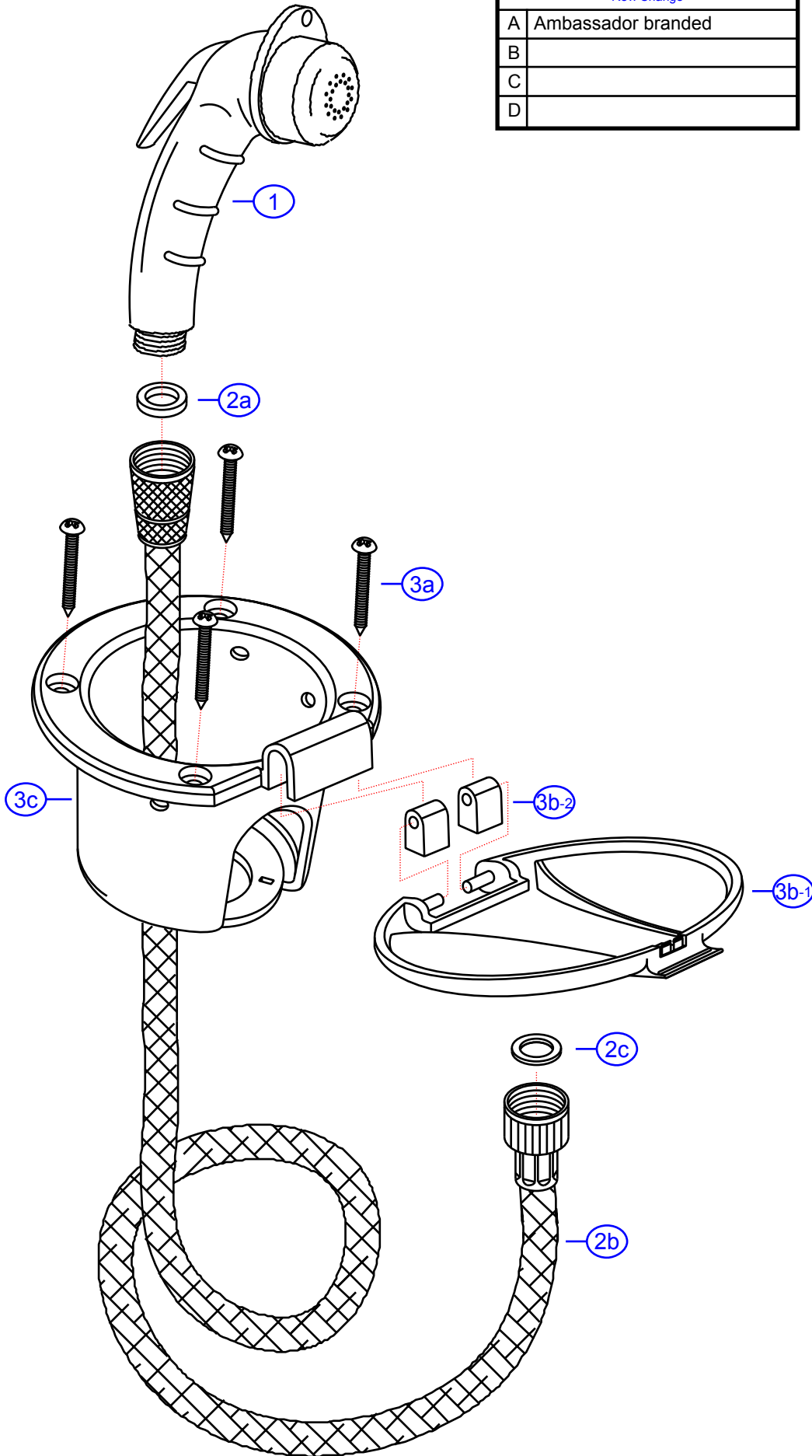
# 137-0040-xx

by Associated Marketing Concepts  
www.ambassadormarine.com  
(800) 270-4262

## Ambassador

MARINE

Rev #	A	Package Style	Aftermarket	Model #	137-0040-xx
Vendor #	XXXX-ASB6	Series	Universal	Approved/Modified	09/17/12
Drawn By	SS	Type	Recessed Shower		



NOT DRAWN TO SCALE

