

Rev. Change

A	Ambassador branded
B	No BOM Change
C	
D	

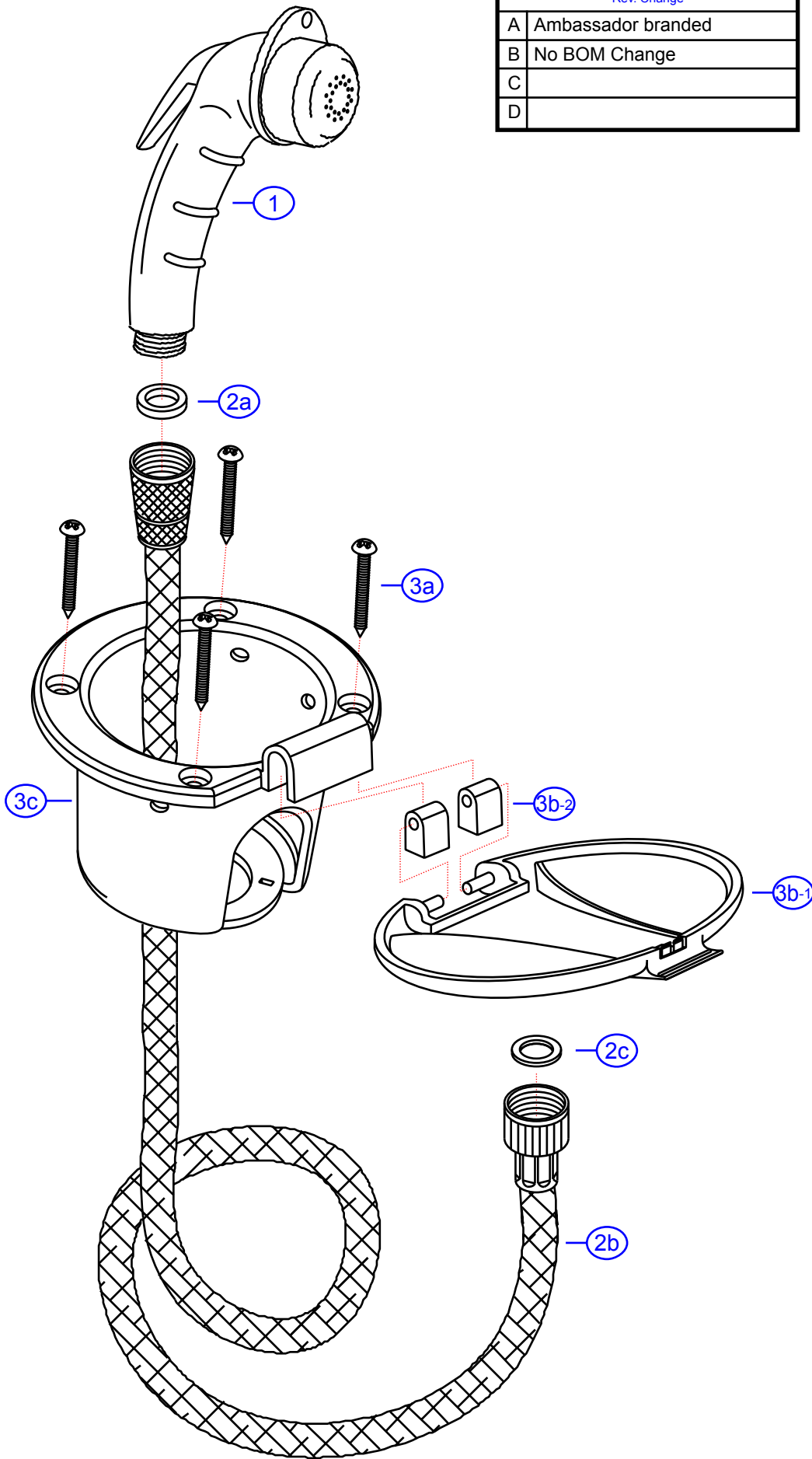
# 137-0040-xx

by Associated Marketing Concepts  
www.ambassadormarine.com  
(800) 270-4262

## Ambassador

MARINE

Rev #	B	Package Style	Aftermarket	Model #	137-0040-xx
Vendor #	S2210216xx-ASB6	Series	Universal		
Drawn By	SS	Approved/Modified	1/30/18	Type	Recessed Shower



NOT DRAWN TO SCALE

