

Rev. Change

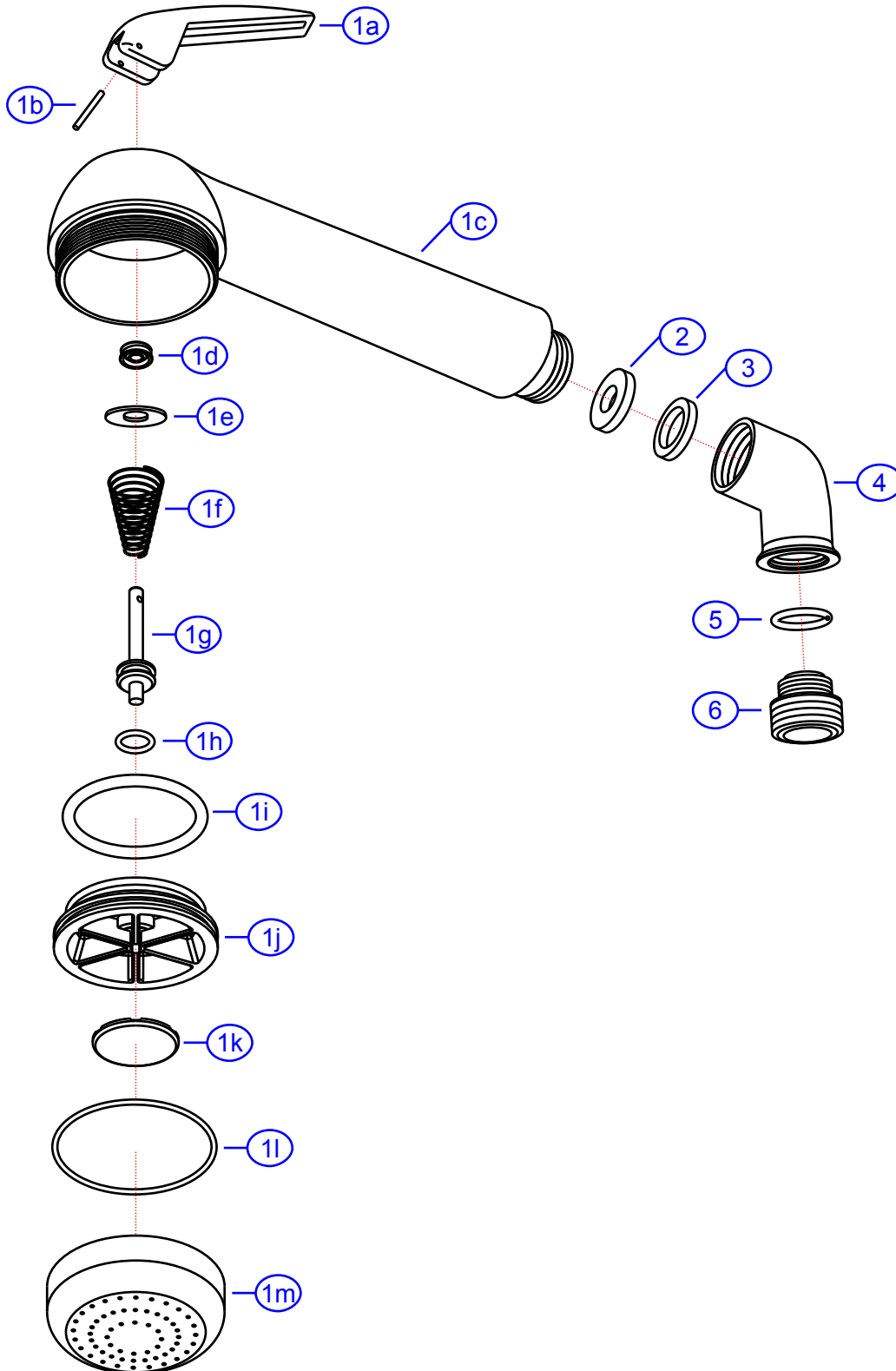
A	Ambassador branded
B	
C	
D	

138-0103-xx

by Associated Marketing Concepts
www.ambassadormarine.com
(800) 270-4262

Ambassador MARINE

Rev #	A	Package Style	Bulk	Model #	138-0103-xx
Vendor #	S221021xx-ASG6	Series	Large Marine Sprayer (No Hook)	Type	1/2" NPS-M (Elbow)
Drawn By	SS	Approved/Modified	06/27/12		



NOT DRAWN TO SCALE

