

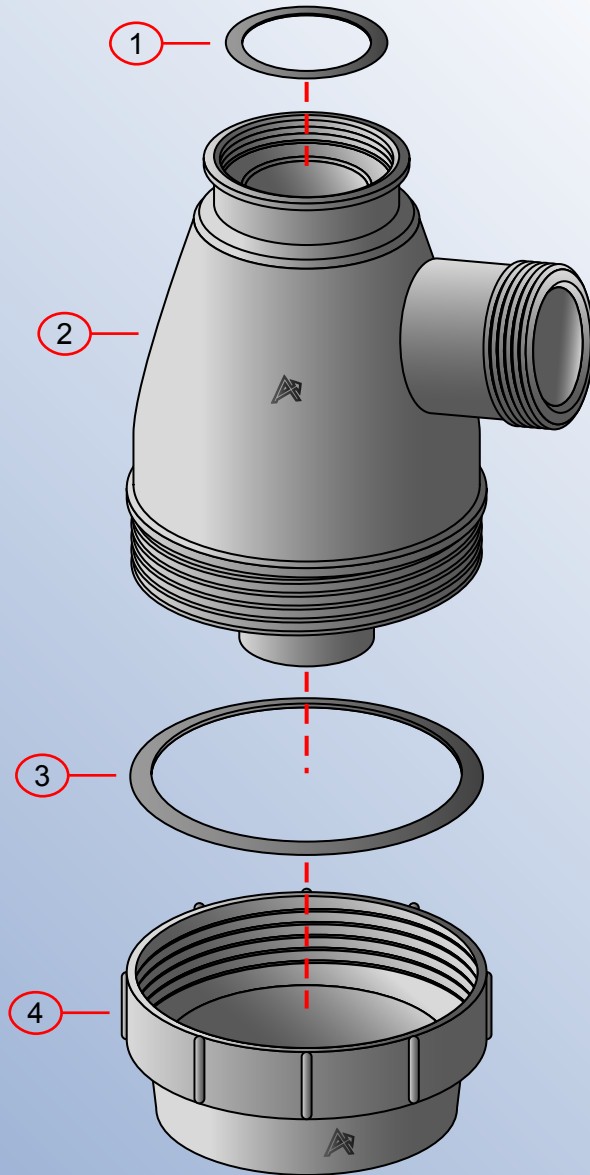
Rev. Change	
A	Original
B	
C	
D	

# S00-0016-PL

by Associated Marketing Concepts  
 21624 Manilla Street, Chatsworth, CA 91311-4123  
 (800) 270-4262 • (818) 678-1651 • FAX (818) 678-1655  
 www.ambassadormarine.com



Stopper	N/A	Package Style	Poly Bag	Model #	<b>S00-0016-PL</b>
Connection	1 1/4" -M Thread	Drain Series	Trap Sink Drain	Drain Type	Trap
Drain Size	N/A	Modified/Approved	SS - 5/7/08		



NOT DRAWN TO SCALE

