

REV. CHANGE	
A	Ambassador Branded

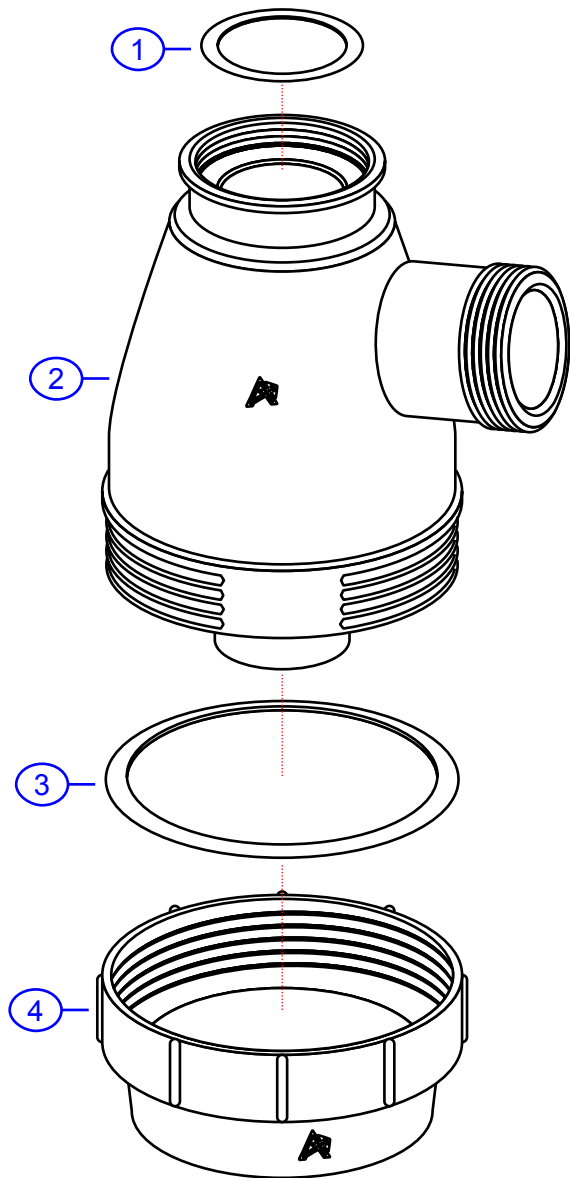
S00-0016-xx

www.ambassadormarine.com
800.270.4262

© Ambassador Marine, Inc.

Ambassador
MARINE

Rev #	A	Package Style	OEM	Model #	S00-0016-xx
ERP #	S00-0016-xx	Approved/Modified	05/27/2024	Series	Drain Parts
Drawn By	SS	Type	Trap Drain Body		



NOT DRAWN TO SCALE

