

REV. CHANGE	
A	Ambassador Branded

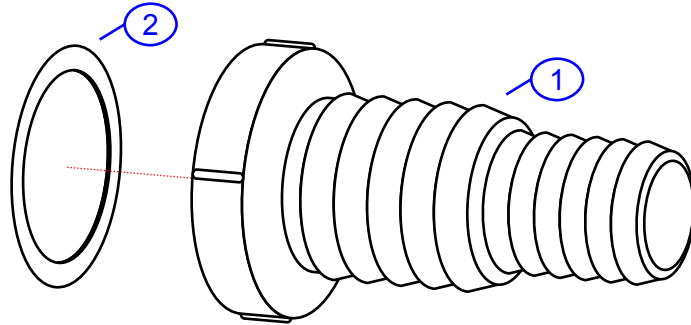
**S00-0020-xx**

www.ambassadormarine.com  
800.270.4262

© Ambassador Marine, Inc.



Rev #	A	Package Style	OEM	Model #	<b>S00-0020-xx</b>
ERP #				Series	Drain Parts
Drawn By	SS			Approved/Modified	05/31/2024
				Type	Hose Barb



NOT DRAWN TO SCALE

