

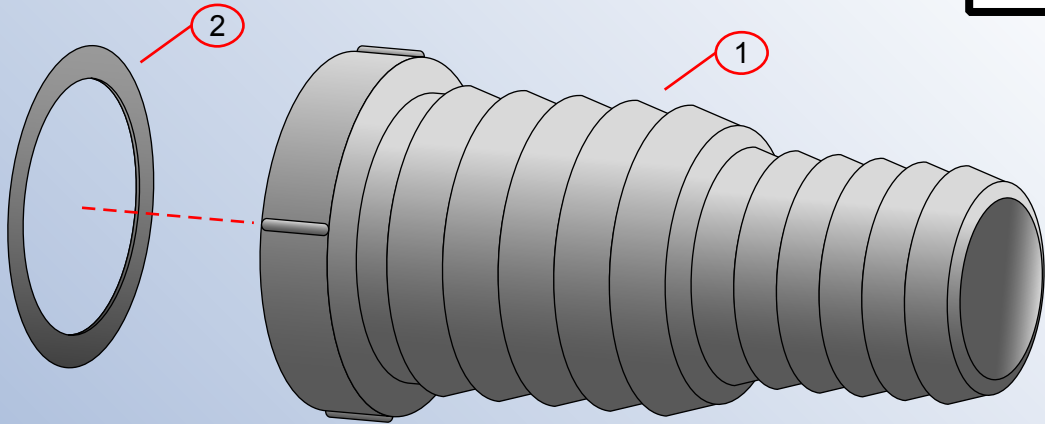
Rev. Change	
A	Original
B	
C	
D	

S00-0021-PL

by Associated Marketing Concepts
 21624 Marilla Street, Chatsworth, CA 91311-4123
 (800) 270-4262 • (818) 678-1651 • FAX (818) 678-1655
 www.ambassadormarine.com

Ambassador
 MARINE

Stopper	N/A	Package Style	Poly Bag	Model #	S00-0021-PL
Connection	1 1/4"-F Thread to 1 1/4" & 1 1/2" Hose				
Drain Size	N/A	Modified/Approved	SS - 11/27/07	Drain Series	Adapter
				Drain Type	Straight Hose Barb



NOT DRAWN TO SCALE

