

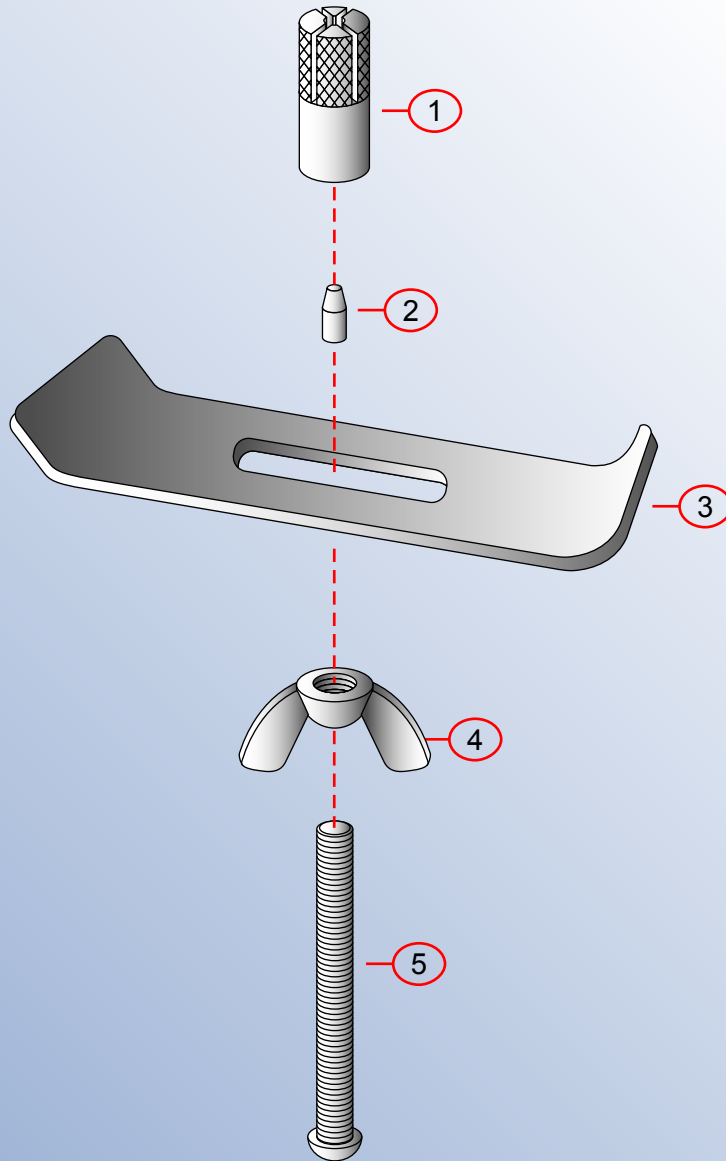
| Rev. Change | |
|-------------|----------|
| A | Original |
| B | |
| C | |
| D | |

S00-0040-SS

Ambassador.
MARINE

by Associated Marketing Concepts
21624 Manilla Street, Chatsworth, CA 91311-4123
(800) 270-4262 • (818) 678-1651 • FAX (818) 678-1655
www.ambassadormarine.com

| | | | | | |
|------------|-----|---------------|----------|-------------------|--------------------------|
| Stopper | N/A | Package Style | Poly Bag | Model # | S00-0040-SS |
| Connection | | | | Drain Series | Bracket |
| Drain Size | N/A | | N/A | Drain Type | Under-Mount Sink Bracket |
| | | | | Modified/Approved | SS - 11/27/07 |



NOT DRAWN TO SCALE

