

REV. CHANGE	
A	Ambassador Branded

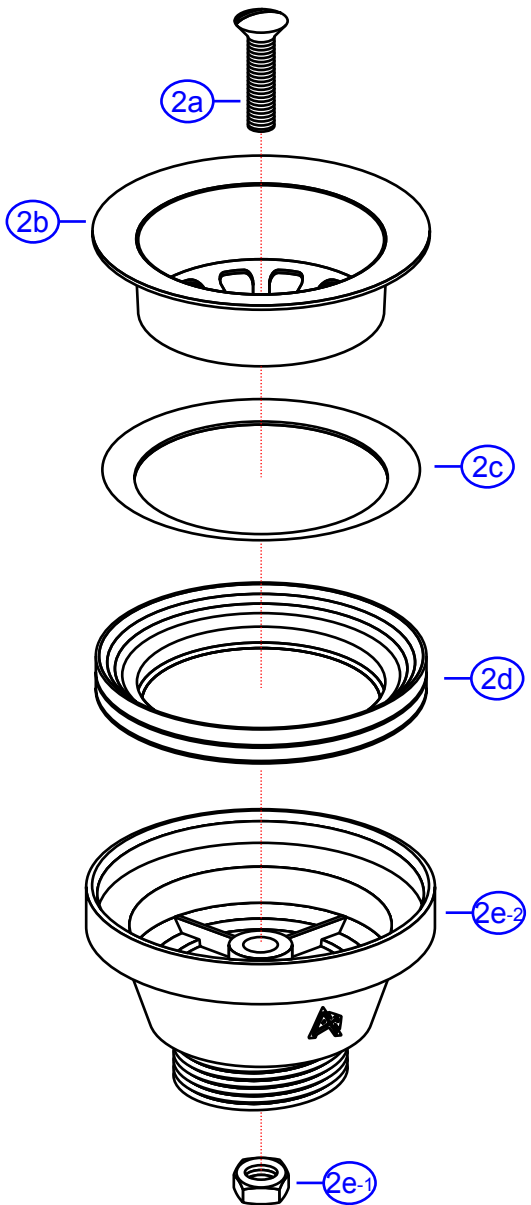
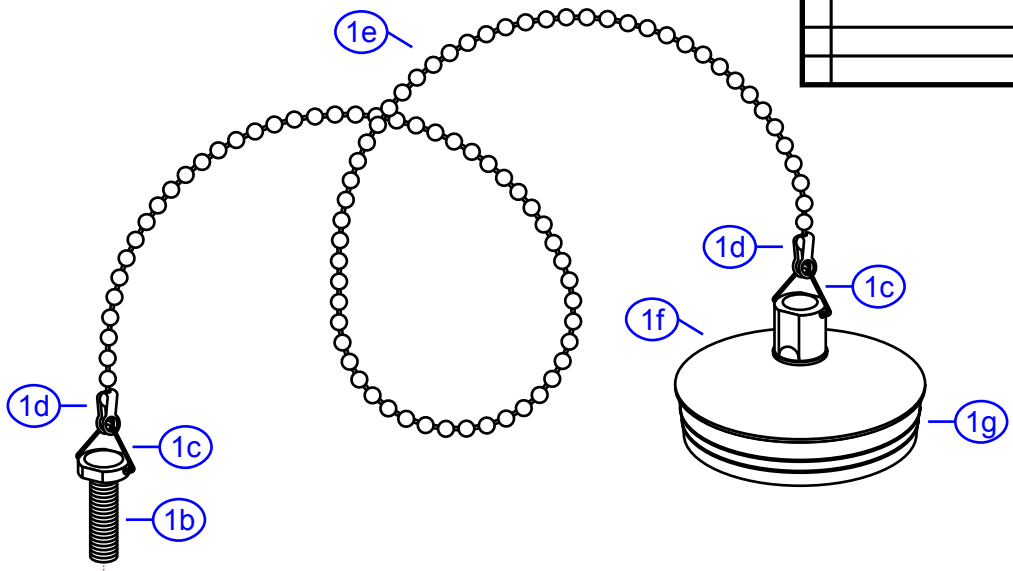
S00-0104-xx

www.ambassadormarine.com
800.270.4262

© Ambassador Marine, Inc.

Ambassador
MARINE

Rev #	A	Package Style	OEM	Model #	S00-0104-xx
ERP #	S00-0104-xx	Approved/Modified	05/31/2024	Series	2" Drain
Drawn By	SS	Type	Straight Drain		



NOT DRAWN TO SCALE

