

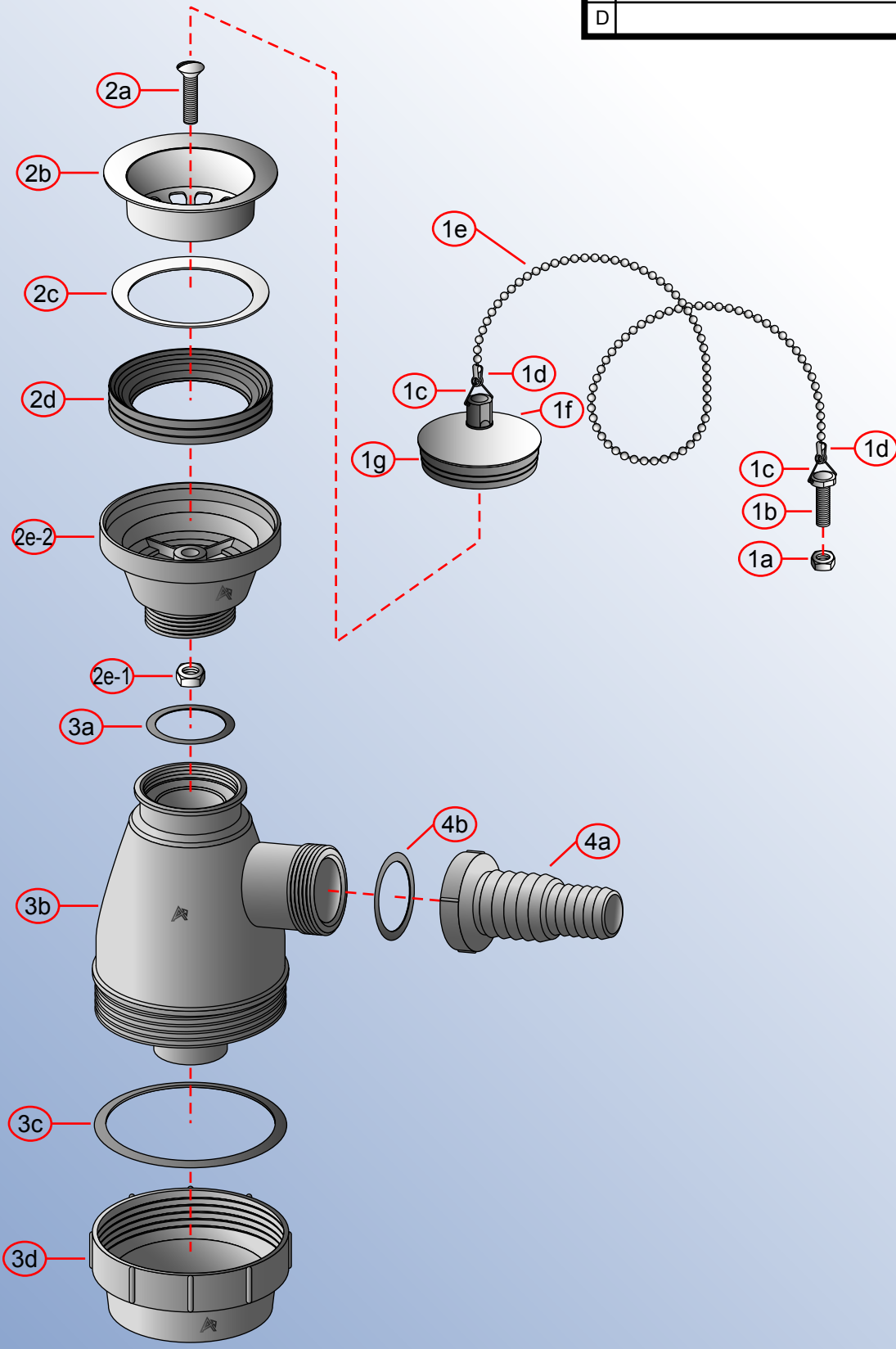
Rev. Change	
A	Original
B	
C	
D	

S00-0108-xx

Ambassador
MARINE

by Associated Marketing Concepts
21624 Manilla Street, Chatsworth, CA 91311-4123
(800) 270-4262 • (818) 678-1651 • FAX (818) 678-1655
www.ambassadormarine.com

Stopper	Package Style	Model #
Chain Stopper	Poly Bag	S00-0108-xx
Connection	3/4" & 1" Hose Barb	Drain Series
Drain Size	Modified/Approved	Trap Sink Drain
2" (Fits: 2 1/16" Hole)	SS - 10/16/08	Drain Type
		Trap



NOT DRAWN TO SCALE

