

REV. CHANGE	
A	Ambassador Branded

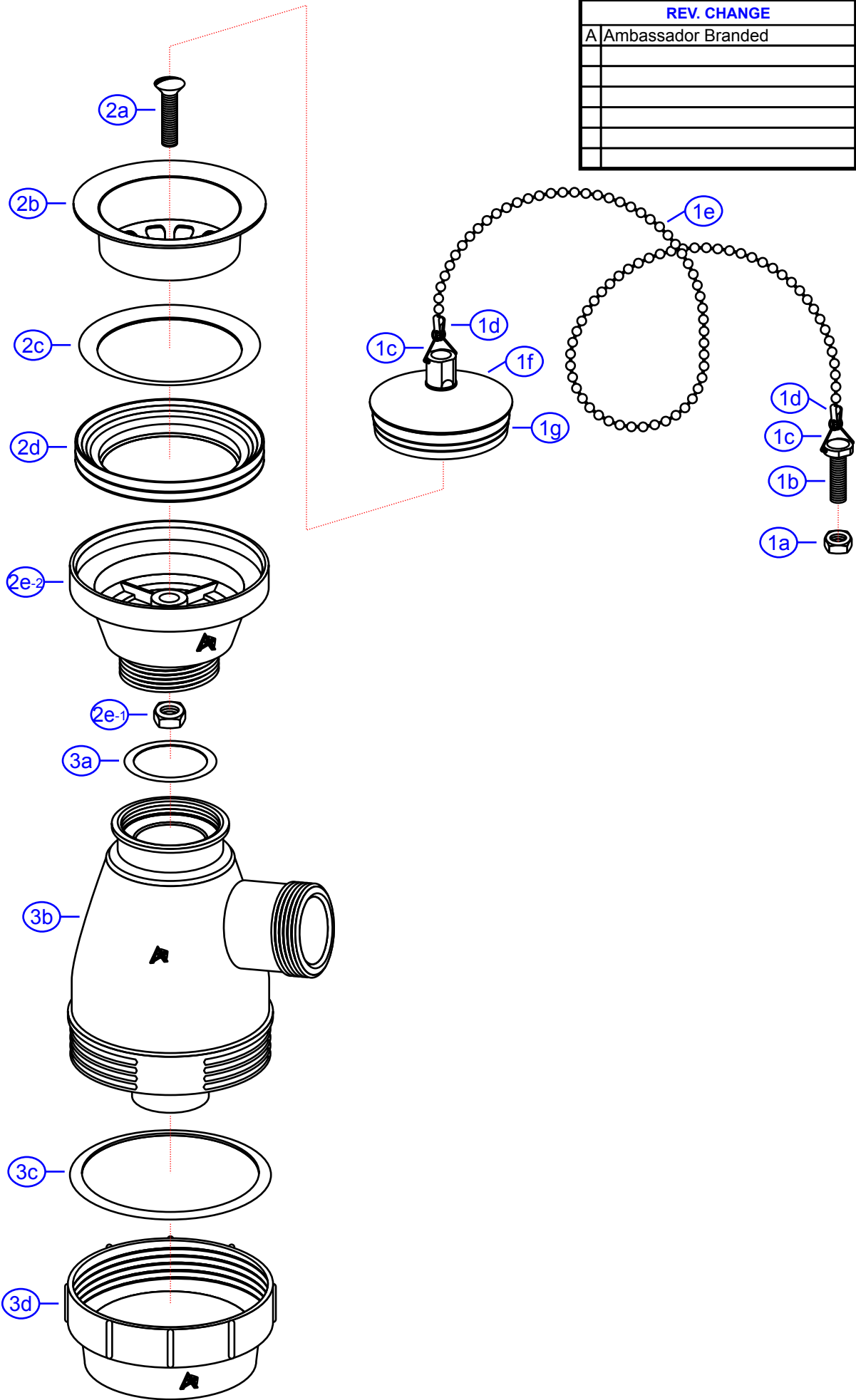
S00-0116-xx

www.ambassadormarine.com
800.270.4262

© Ambassador Marine, Inc.

Ambassador
MARINE

Rev #	A	Package Style	OEM	Model #	S00-0116-xx
ERP #	S00-0116-xx	Approved/Modified	12/09/2024	Series	2" Drain
Drawn By	SS	Type	Trap Drain		



NOT DRAWN TO SCALE

S00-0116-xx



2" Drain

Trap Drain w/Chain Stopper (1 1/4"-M Thread)

Rev. A

(800) 270-4262

www.ambassadormarine.com

#	Description	Qty	Part #	Finish Code Suffix (i.e. EA-123456CP)				Material
				BP	UP			
1	2" Drain Chain Stopper Assembly	1	S00-0110-__	UP	UP			-
1a	Nut	1	SDP-0001					SUS304
1b	Screw	1	SDP-0002					SUS304
1c	Triangle Connector	2	SDP-0003					SUS304
1d	Chain Connector	2	SDP-0004					SUS304
1e	Chain	1	SDP-0005					SUS304
1f	Cover	1	SDP-0006-__	UM	UM			SUS304
1g	Plug	1	SDP-0007*					PVC
2	2" Straight Drain Assembly	1	S00-0004-__	BP	UP			-
2a	Screw (30mm x M6-1)	1	SDP-0019					SUS304
2b	Flange	1	SDP-0009-__	BR	UM			SUS304
2c	Foam Gasket	1	SDP-0010					PE
2d	Rubber Gasket	1	SDP-0011					PVC
2e	Body Assembly	1	SDA-1001					-
2e-1	Screw Receiver (M6-1)	1	SDP-0001					SUS304
2e-2	Body Housing	1	SDP-0020*					PP
3	Trap Drain Body Assembly	1	S00-0016-__	PL	PL			-
3a	Rubber Gasket	1	SDP-0021					PVC
3b	Trap Body	1	SDP-0024					PP
3c	Rubber Gasket	1	SDP-0025					PVC
3d	Trap Cup	1	SDP-0026					PP

* - Part is not available individually. "Assembled" item is required.

All sub-components included within assembly (i.e. "1" includes "1a", "1b", "1c", etc.)

Revised: 12/9/2024