

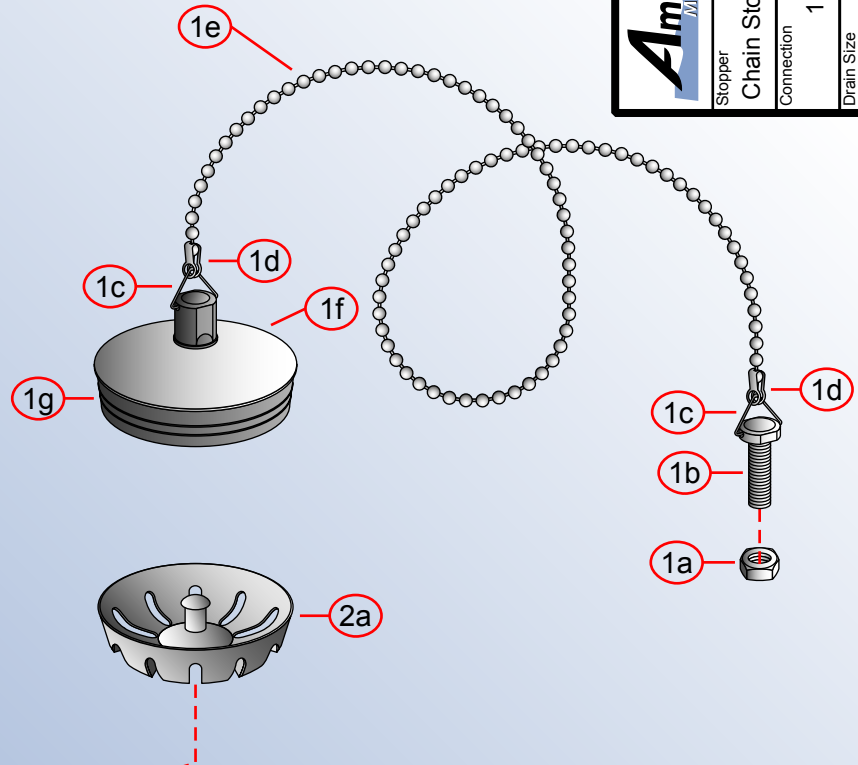
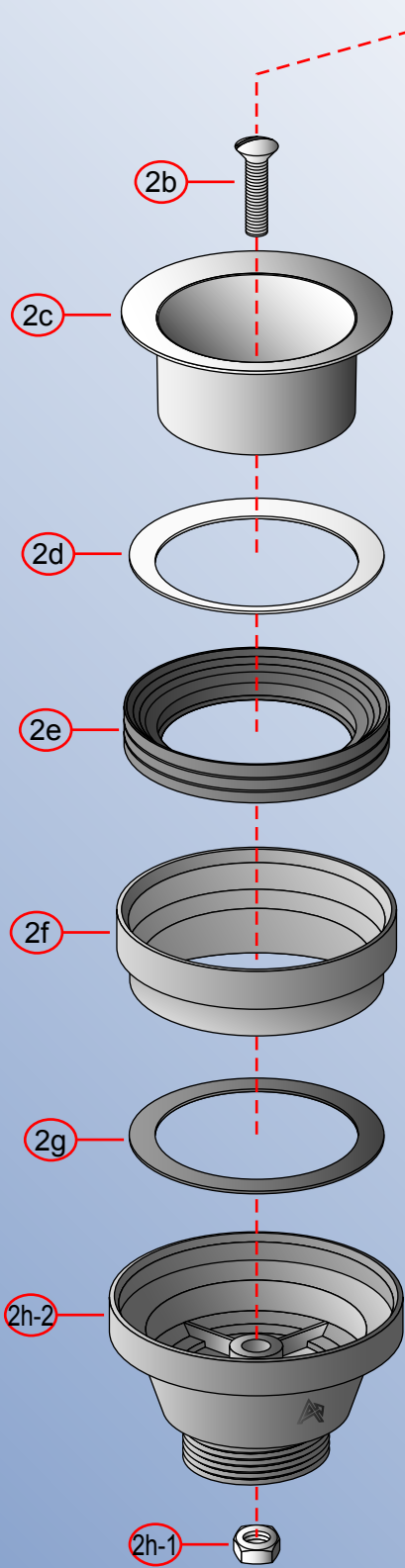
	Rev. Change
A	Original
B	
C	
D	

S00-1104-xx

Ambassador
MARINE

by Associated Marketing Concepts
21624 Manila Street, Chatsworth, CA 91311-4123
(800) 270-4262 • (818) 678-1651 • FAX (818) 678-1655
www.ambassadormarine.com

Stopper	Package Style	Model #
Chain Stopper	Poly Bag	S00-1104-xx
Connection	1 1/4" -M Thread	Drain Series
Drain Size	Modified/Approved	Straight Sink Drain
2" (Fits: 2 1/16" Hole)	SS - 10/16/08	Drain Type
		Low Profile w/Strainer



NOT DRAWN TO SCALE

