

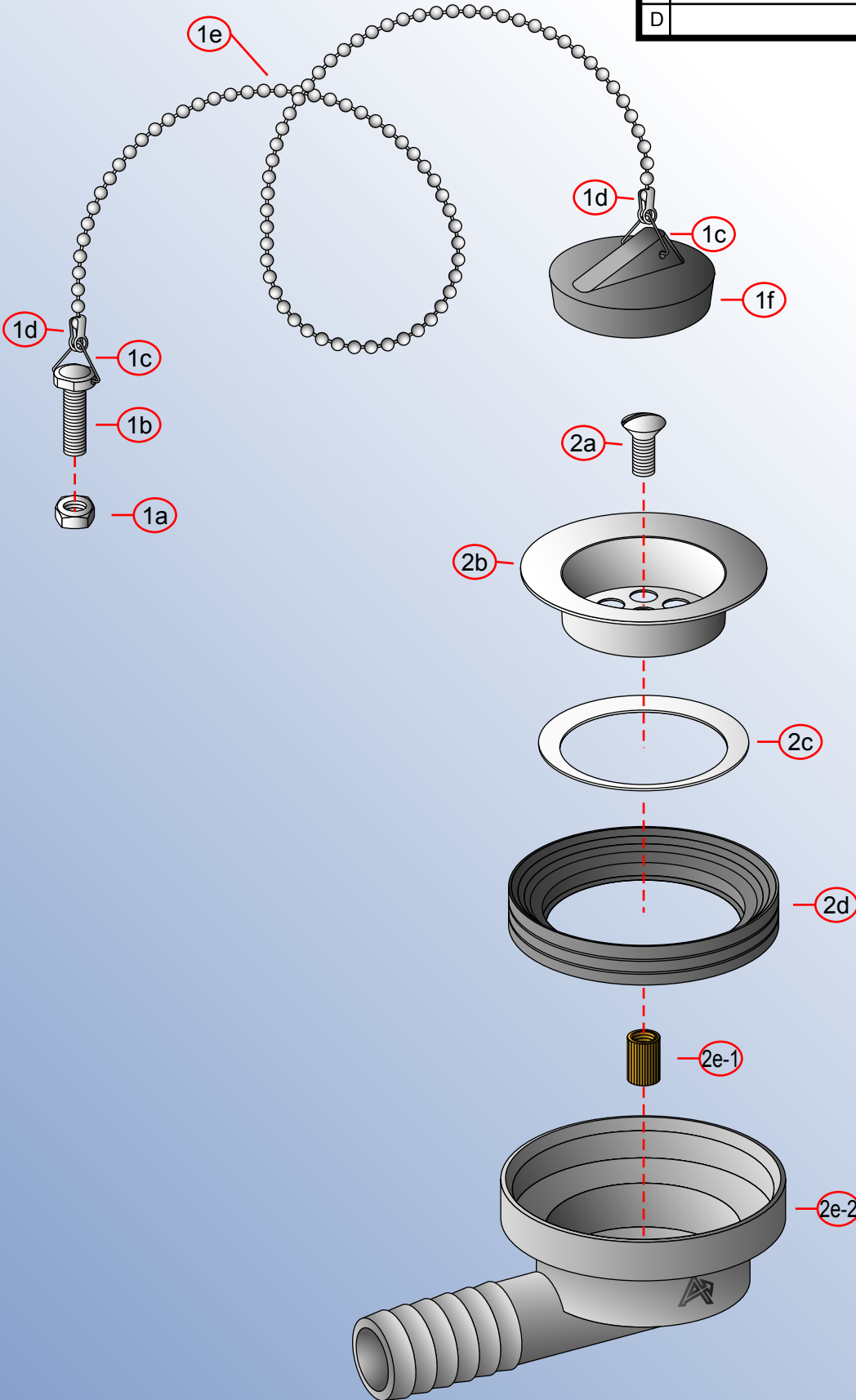
Rev. Change	
A	Original
B	
C	
D	

# S01-0101-xx

**Ambassador**  
MARINE

by Associated Marketing Concepts  
21624 Manilla Street, Chatsworth, CA 91311-4123  
(800) 270-4262 • (818) 678-1651 • FAX (818) 678-1655  
www.ambassadormarine.com

Stopper	Package Style	Model #
Chain Stopper	Poly Bag	<b>S01-0101-xx</b>
Connection	1" Hose Barb	Drain Series
Drain Size	Modified/Approved	90° Sink Drain
1 1/2" (Fits: 1 3/4" Hole)	SS - 10/16/08	Drain Type
		Low Profile



NOT DRAWN TO SCALE

