

REV. CHANGE	
A	Ambassador Branded

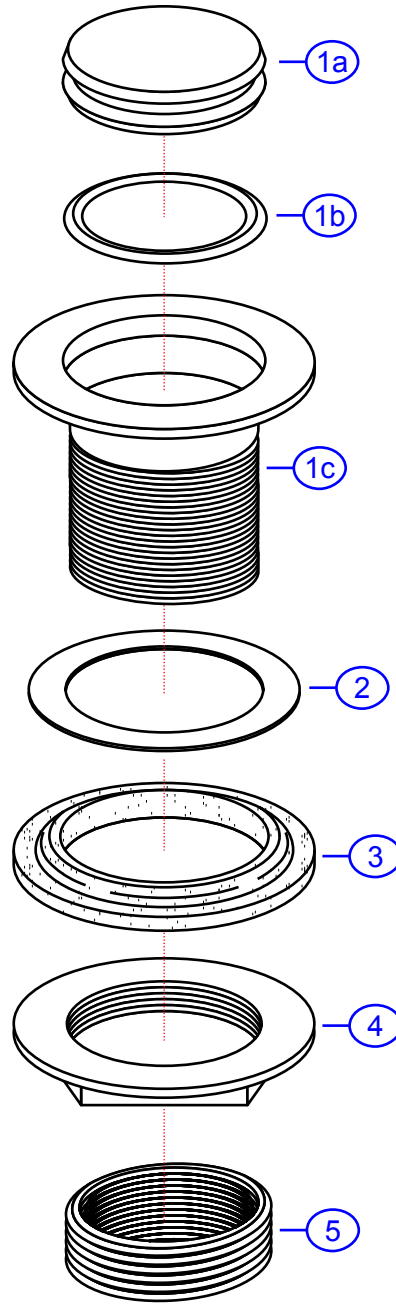
**S01-0304-xx**

www.ambassadormarine.com  
800.270.4262

© Ambassador Marine, Inc.

**Ambassador**  
MARINE

Rev #	A	Package Style	OEM	Model #	<b>S01-0304-xx</b>
ERP #	S01-0304-xx	Approved/Modified	12/10/2024	Series	1 1/2" Drain
Drawn By	SS	Type	Flip Drain (No Overflow)		



NOT DRAWN TO SCALE

