

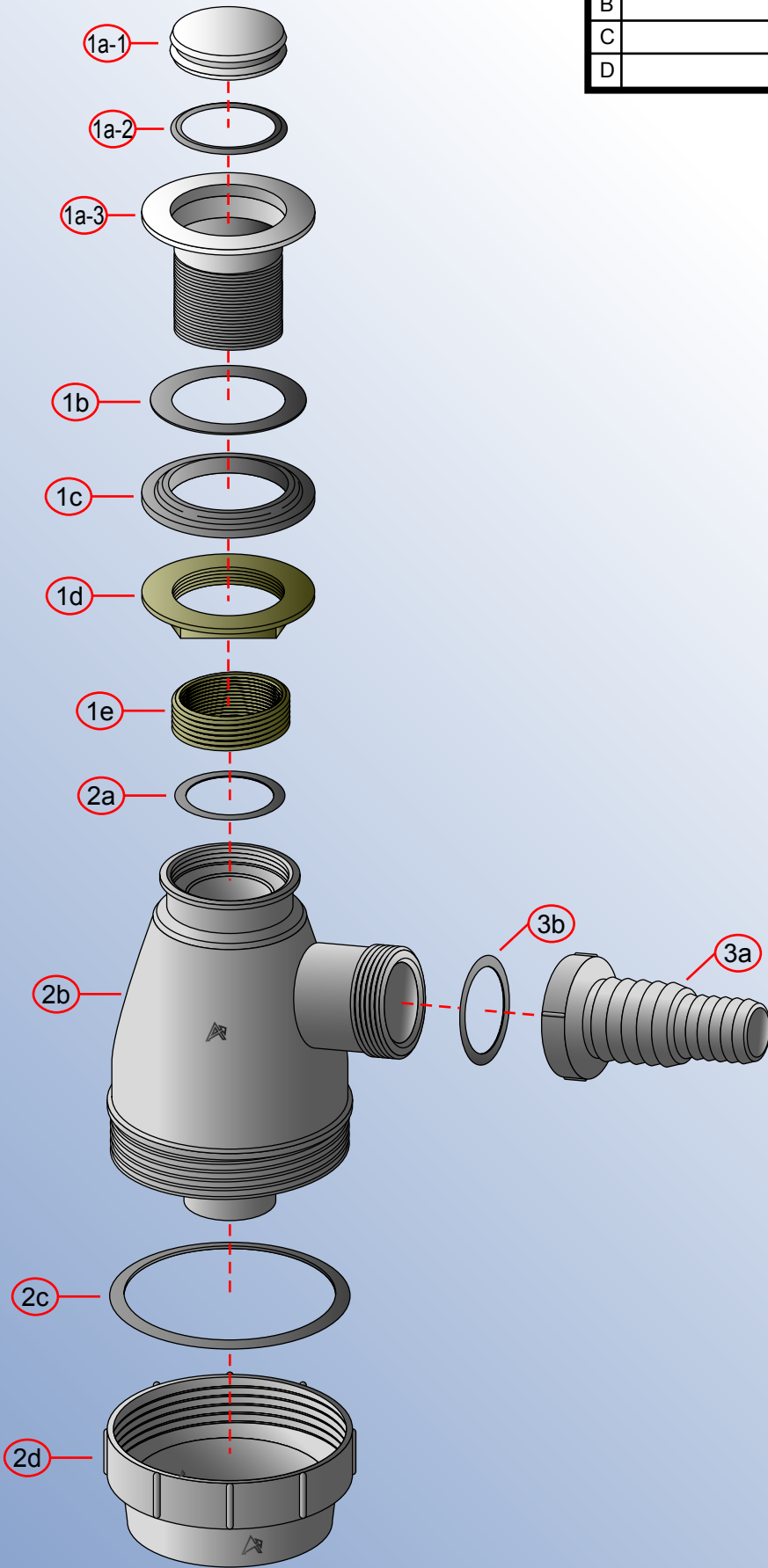
Rev. Change	
A	Original
B	
C	
D	

S01-0308-xx

Ambassador
MARINE

by Associated Marketing Concepts
21624 Manilla Street, Chatsworth, CA 91311-4123
(800) 270-4262 • (818) 678-1651 • FAX (818) 678-1655
www.ambassadormarine.com

Stopper	Flip	Package Style	Poly Bag	Model #	S01-0308-xx
Connection	3/4" & 1" Hose Barb	Drain Series	Trap Sink Drain	Drain Type	Flip Trap Drain (No Overflow)
Drain Size	1 1/2" (Fits: 1 3/4" Hole)	Modified/Approved	SS - 9/22/08		



NOT DRAWN TO SCALE

