

REV. CHANGE	
A	Ambassador Branded

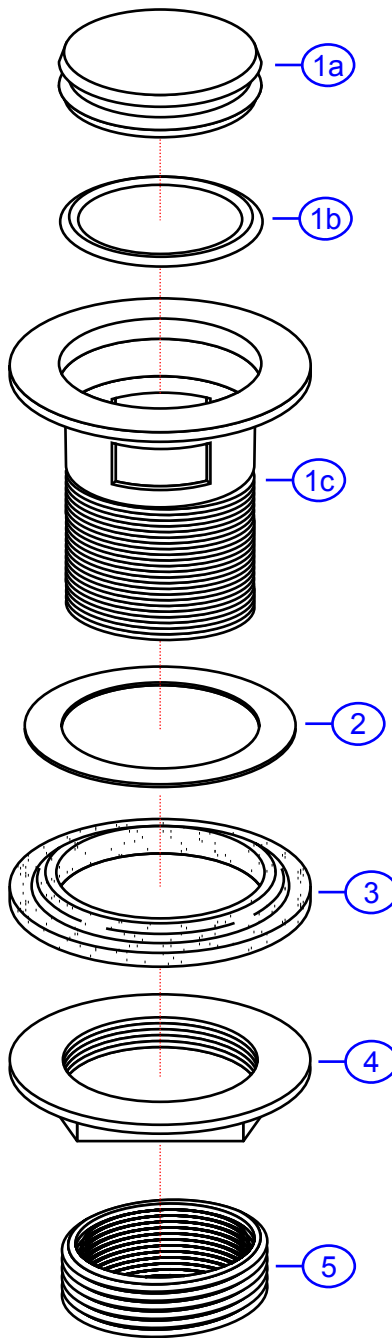
S01-0504-xx

www.ambassadormarine.com
800.270.4262

© Ambassador Marine, Inc.

Ambassador
MARINE

Rev #	A	Package Style	OEM	Model #	S01-0504-xx
ERP #	S01-0504-xx	Approved/Modified	12/10/2024	Series	1 1/2" Drain
Drawn By	SS	Type	Flip Drain (With Overflow)		



NOT DRAWN TO SCALE

