

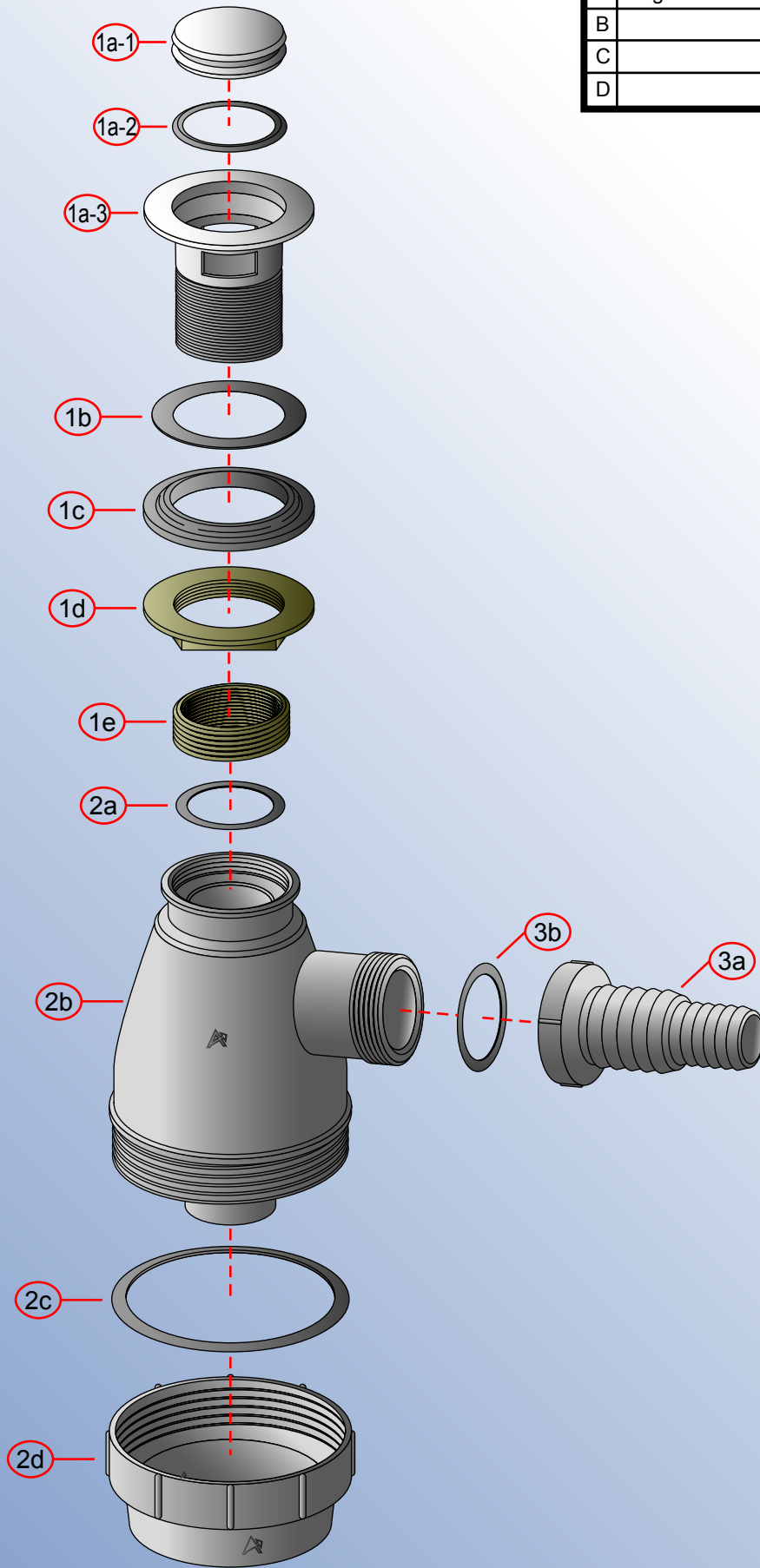
Rev. Change	
A	Original
B	
C	
D	

S01-0508-xx

Ambassador
MARINE

by Associated Marketing Concepts
21624 Manilla Street, Chatsworth, CA 91311-4123
(800) 270-4262 • (818) 678-1651 • FAX (818) 678-1655
www.ambassadormarine.com

Stopper	Flip	Package Style	Poly Bag	Model #	S01-0508-xx
Connection	3/4" & 1" Hose Barb	Drain Series	Trap Sink Drain	Drain Type	Flip Trap Drain (With Overflow)
Drain Size	1 1/2" (Fits: 1 3/4" Hole)	Modified/Approved	SS - 9/22/08		



NOT DRAWN TO SCALE

S01-0508-xx

Flip Trap Sink Drain (With Overflow)
 3/4" & 1" Hose Barb
 1 1/2" Drain (Fits: 1 3/4" Hole)
 Rev. A



#	Description	Part #	Finish				Material	Qty
			CP	BP	SP	CGP		
1	Drain Top (Assembled)	S01-0504-xx	CP	BP	SP	CGP	N/A	1
1a	Flip Body Assembly (With Overflow)	SDA-1003-xx	CP	BP	SP	CGP	N/A	1
1a-1	Flipper	SDP-0032-xx*	CP	BP	SP	GP	Brass	1
1a-2	O-Ring	SDP-0033*					Rubber	1
1a-3	Flip Body (With Overflow)	SDP-0035-xx*	CP	BP	SP	CP	Brass	1
1b	Washer	SDP-0036					Rubber	1
1c	Gasket	SDP-0037					Rubber	1
1d	Lock Nut	SDP-0038					Brass	1
1e	1 1/4" Adapter	SDP-0039					Brass	1
2	Trap Sink Drain	S00-0016-xx	PL	PL	PL	PL	N/A	1
2a	Rubber Gasket	SDP-0021					Rubber	1
2b	Trap Body	SDP-0024					PP	1
2c	Rubber Gasket	SDP-0025					Rubber	1
2d	Trap Cup	SDP-0026					PP	1
3	Hose Barb Adapter (Assembled)	S00-0020-xx	PL	PL	PL	PL	N/A	1
3a	1 1/4"-F Thread to 3/4" & 1" Hose Barb	SDP-0022*					PP	1
3b	Rubber Gasket	SDP-0021					Rubber	1

* - Grayed parts are not available individually. "Assembled" item is required.