

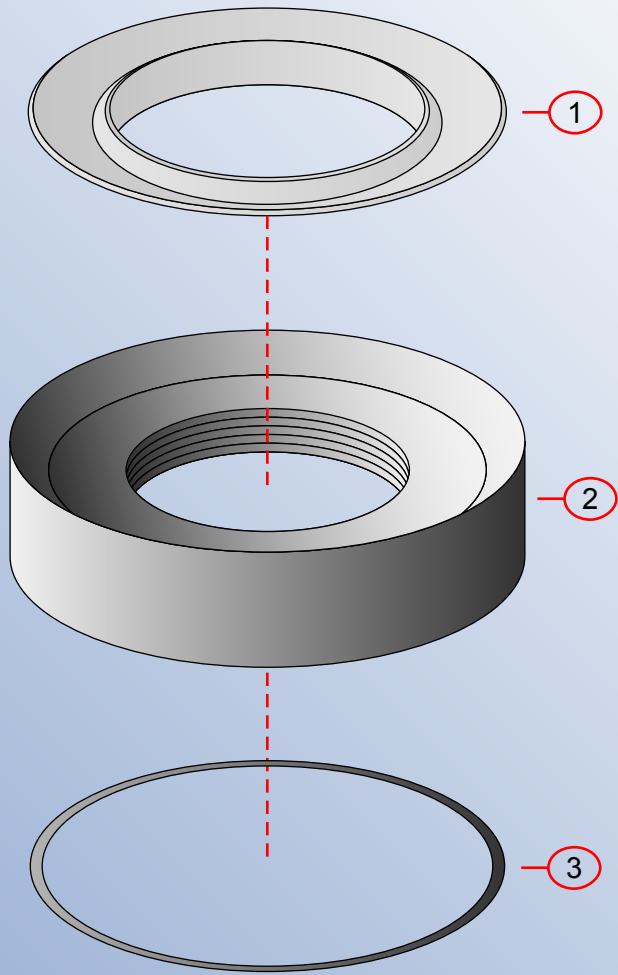
Rev. Change	
A	Original
B	
C	
D	

V03-0050-xx

by Associated Marketing Concepts
 21624 Manilla Street, Chatsworth, CA 91311-4123
 (800) 270-4262 • (818) 678-1651 • FAX (818) 678-1655
 www.ambassadormarine.com



Stopper	N/A	Package Style	BOX	Model #	V03-0050-xx
Connection	Works With Touch Drain Series, 1 1/4"-F Thread	Drain Series		Drain Series	Vessel - Base
Drain Size	1 3/4" (Fits: 1 7/8" Hole)	Modified/Approved	SS - 09/23/08	Drain Type	Mounting Base (Optional)



NOT DRAWN TO SCALE

