

V03-0050-xx

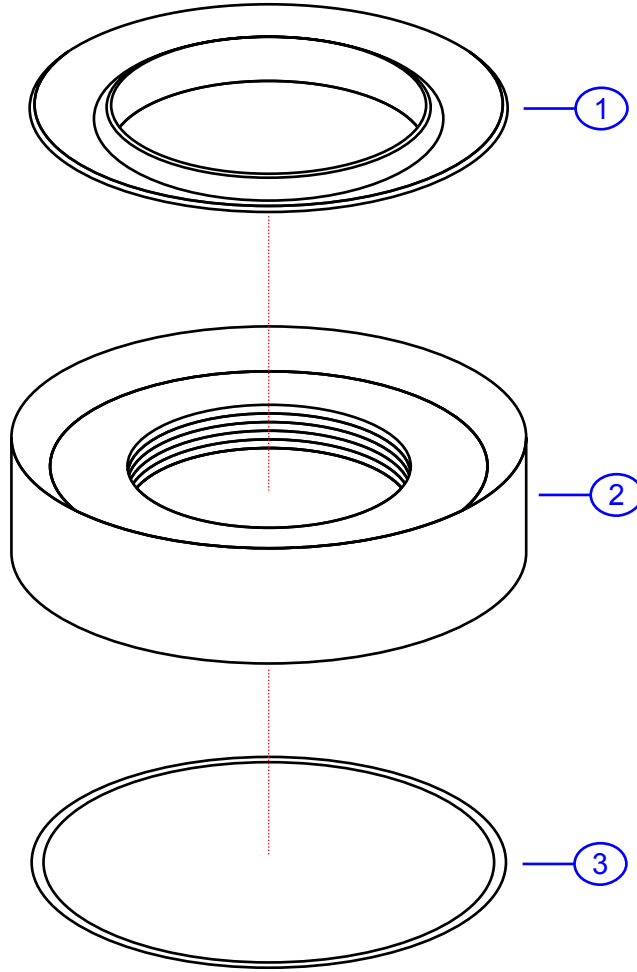
www.ambassadormarine.com
800.270.4262

© Ambassador Marine, Inc.



Rev #	A	Package Style	OEM	Model #	V03-0050-xx
ERP #			N/A	Series	Drain (1 3/4" Drain Hole)
Drawn By	SS	Approved/Modified	09/18/23	Type	Mounting Base (Optional)

REV. CHANGE	
A	Ambassador Branded



NOT DRAWN TO SCALE

