

REV. CHANGE	
A	Ambassador Branded
B	Refreshed

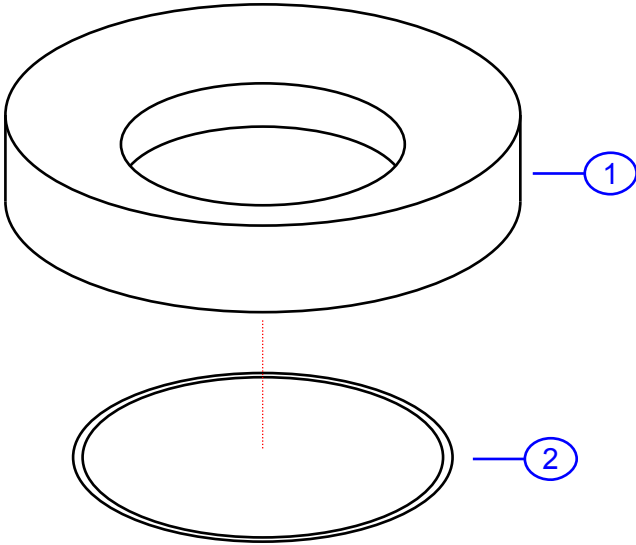
V03-0050-xx

www.ambassadormarine.com
800.270.4262

© Ambassador Marine, Inc.

Ambassador
MARINE

Rev #	B	Package Style	OEM	Model #	V03-0050-xx
ERP #				Series	1 3/4" Drain
Drawn By	SS			Type	Mounting Base (Optional)
				Approved/Modified	12/10/2024



NOT DRAWN TO SCALE

