

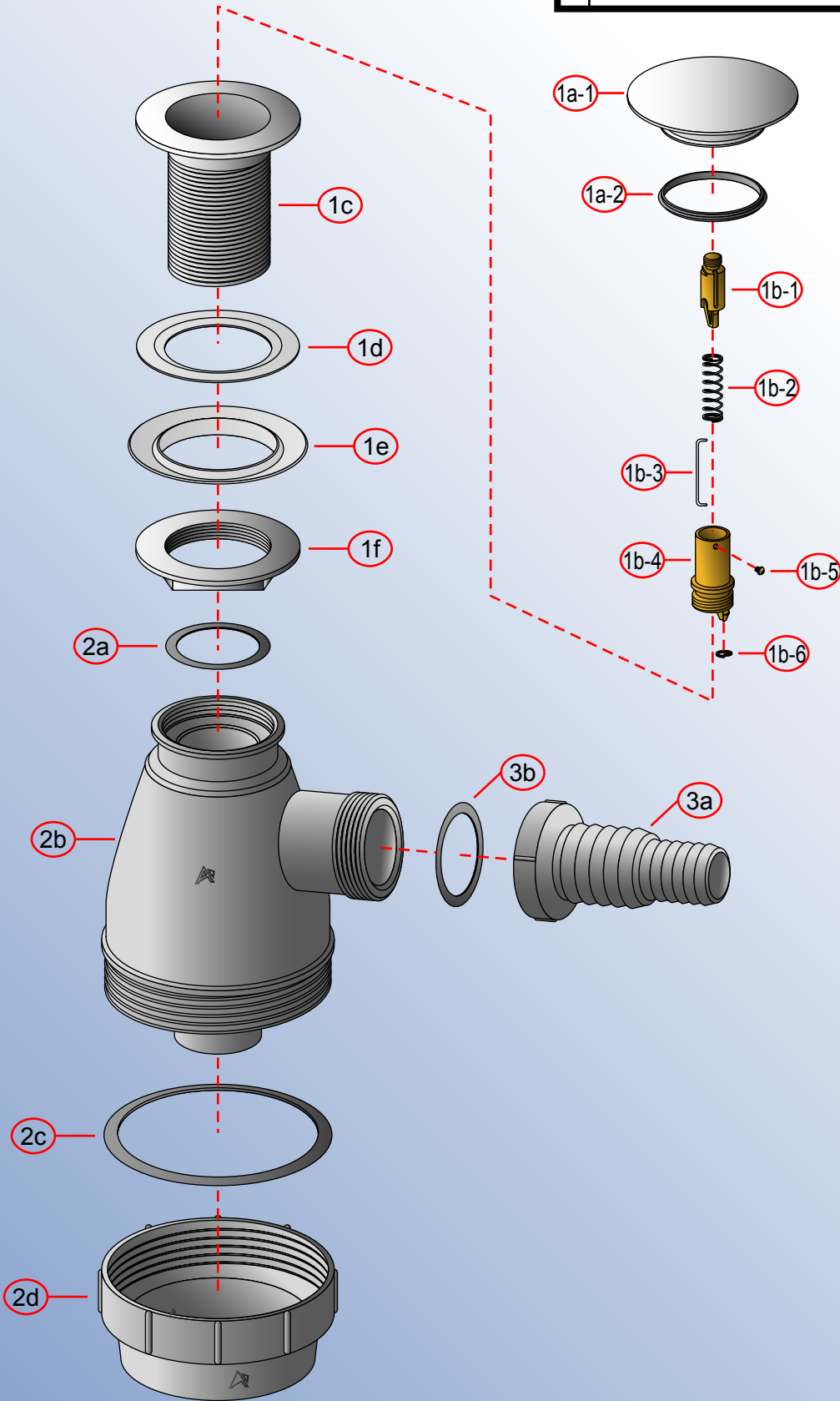
Rev. Change	
A	Original
B	
C	
D	

V03-0708-xx

by Associated Marketing Concepts
 21624, Marilla Street, Chatsworth, CA, 91311-4123
 (800) 270-4262 • (818) 678-1651 • FAX (818) 678-1655
 www.ambassadormarine.com

Ambassador
 MARINE

Stopper	Touch	Package Style	Poly Bag	Model #	V03-0708-xx
Connection	3/4" & 1" Hose Barb	Drain Series	Trap Sink Drain	Drain Type	Touch Trap Drain (With Cover)
Drain Size	1 3/4" (Fits: 1 7/8" Hole)	Modified/Approved	SS - 9/23/08		



NOT DRAWN TO SCALE

V03-0708-xx

Touch Trap Sink Drain (With Cover) (No Overflow)
 3/4" & 1" Hose Barb
 1 3/4" Drain (Fits: 1 7/8" Hole)
 Rev. A



#	Description	Part #	Finish				Material	Qty
			CP	BP				
1	Touch Drain (With Cover) (Assembled)	V03-0704-xx	CP	BP			N/A	1
1a	Stopper Assembly (With Cover)	SDA-1005-xx	CP	BP			N/A	1
1a-1	Stopper	SDP-0042-xx*	CP	BP			Brass	1
1a-2	Gasket	SDP-0043*					Rubber	1
1b	Piston Assembly	SDA-1006					N/A	1
1b-1	Plunger	SDP-0044*					Brass	1
1b-2	Piston Spring	SDP-0045*					Stainless Steel	1
1b-3	Piston Guide Rod	SDP-0046*					Stainless Steel	1
1b-4	Piston Housing	SDP-0047*					Brass	1
1b-5	Piston Screw	SDP-0048*					Brass	1
1b-6	Piston Locking Ring	SDP-0049*					Stainless Steel	1
1c	Body (No Overflow)	SDP-0050-xx	CP	BP			Brass	1
1d	Gasket	SDP-0051					Silicone	1
1e	Gasket	SDP-0052					Silicone	1
1f	Lock Nut	SDP-0053					Brass	1
2	Trap Sink Drain	S00-0016-xx	PL	PL			N/A	1
2a	Rubber Gasket	SDP-0021					Rubber	1
2b	Trap Body	SDP-0024					PP	1
2c	Rubber Gasket	SDP-0025					Rubber	1
2d	Trap Cup	SDP-0026					PP	1
3	Hose Barb Adapter (Assembled)	S00-0020-xx	PL	PL			N/A	1
3a	1 1/4"-F Thread to 3/4" & 1" Hose Barb	SDP-0022*					PP	1
3b	Rubber Gasket	SDP-0021					Rubber	1

* - Grayed parts are not available individually. "Assembled" item is required.