

REV. CHANGE	
A	Ambassador Branded

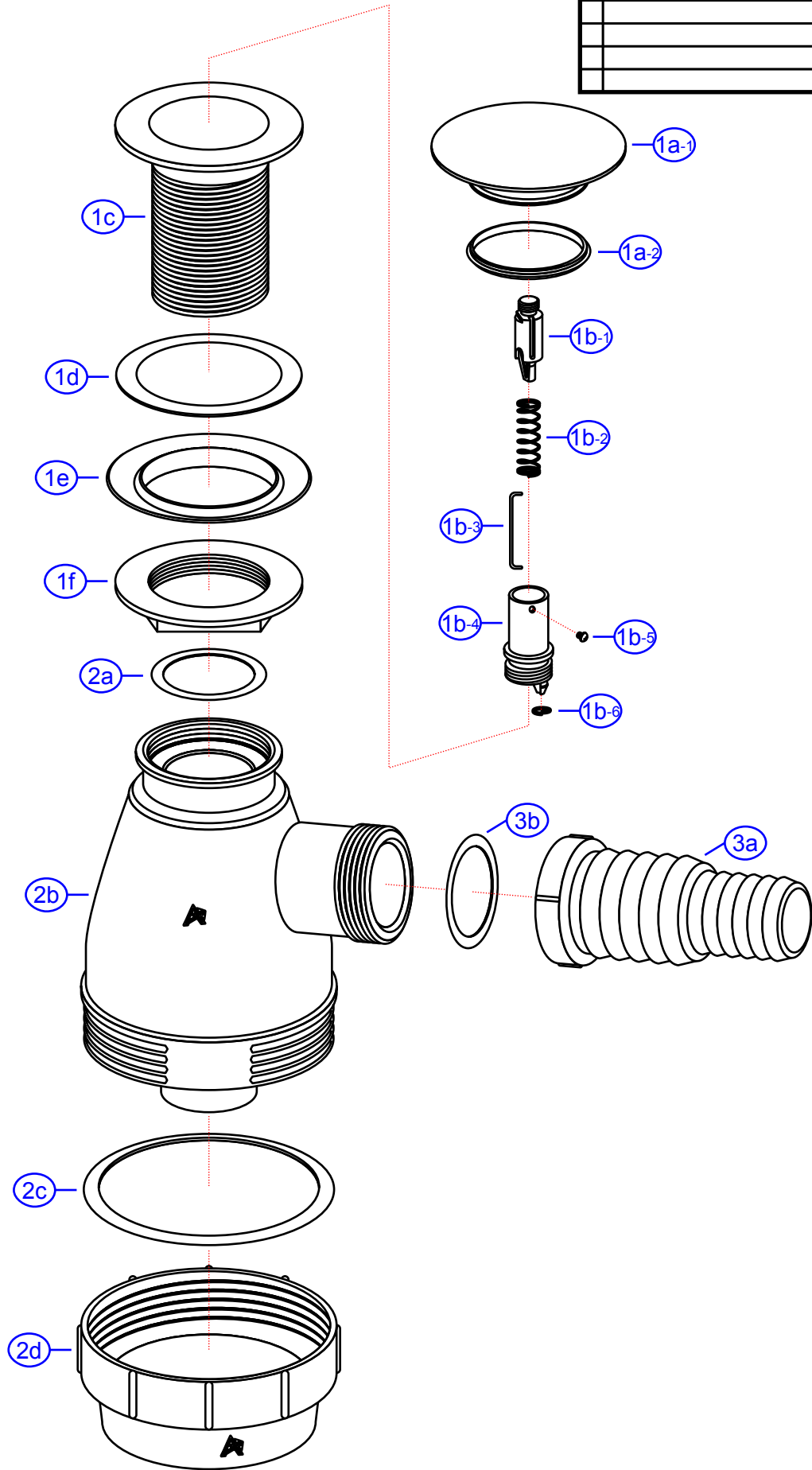
V03-0709-xx

www.ambassadormarine.com
800.270.4262

© Ambassador Marine, Inc.

Ambassador
MARINE

Rev #	A	Package Style	OEM	Model #	V03-0709-xx
ERP #				Series	1 1/4" Drain
Drawn By	SS			Approved/Modified	12/10/2024
				Type	Touch Trap Drain



NOT DRAWN TO SCALE

