

# V03-0709-xx

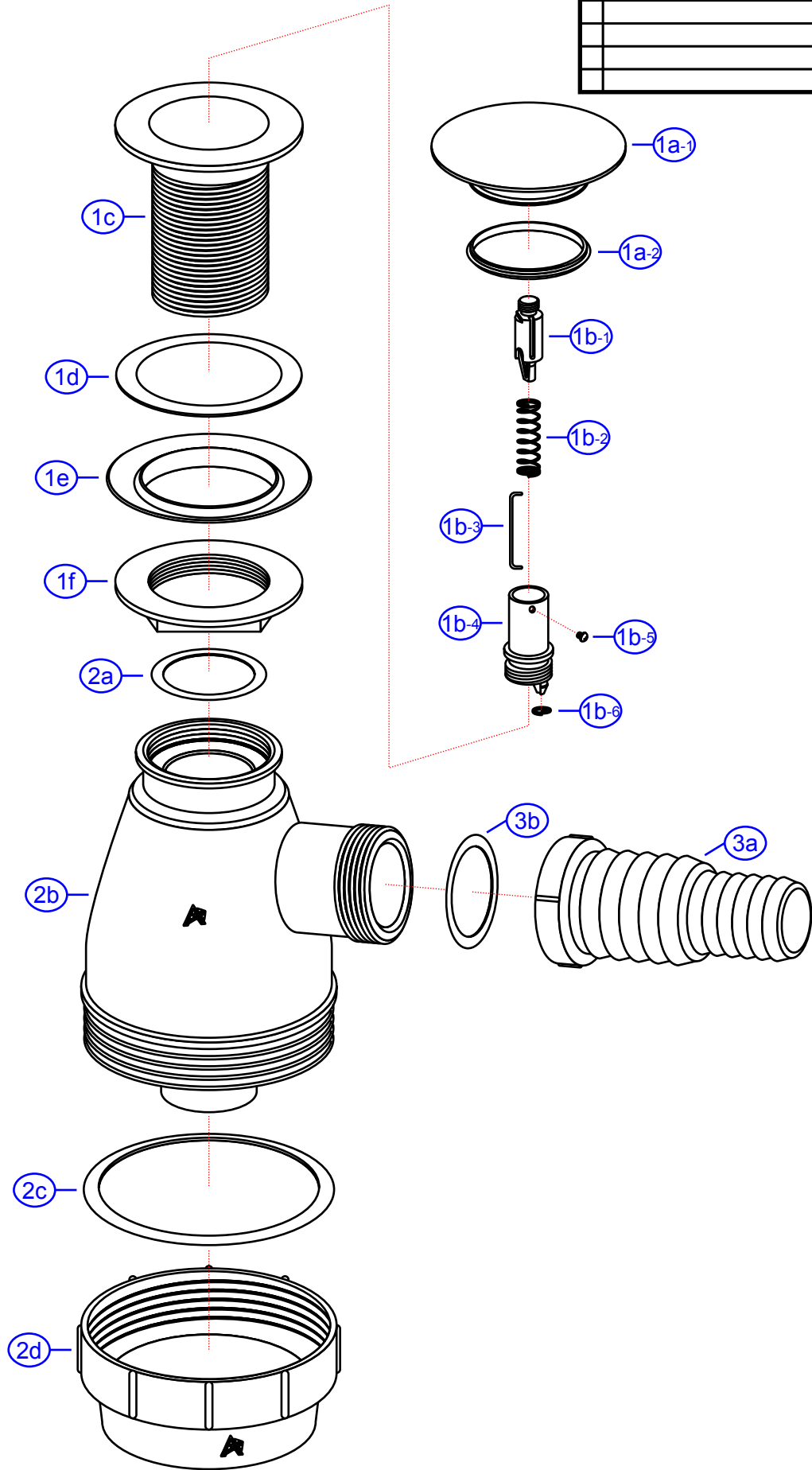
www.ambassadormarine.com  
800.270.4262

© Ambassador Marine, Inc.

## Ambassador MARINE

Rev #	B	Package Style	OEM	Model #	<b>V03-0709-xx</b>
ERP #				Series	1 1/4" Drain
Drawn By	SS	Approved/Modified	12/10/2024	Type	Touch Trap Drain

REV. CHANGE	
A	Ambassador Branded
B	Continuous Threads



NOT DRAWN TO SCALE

