

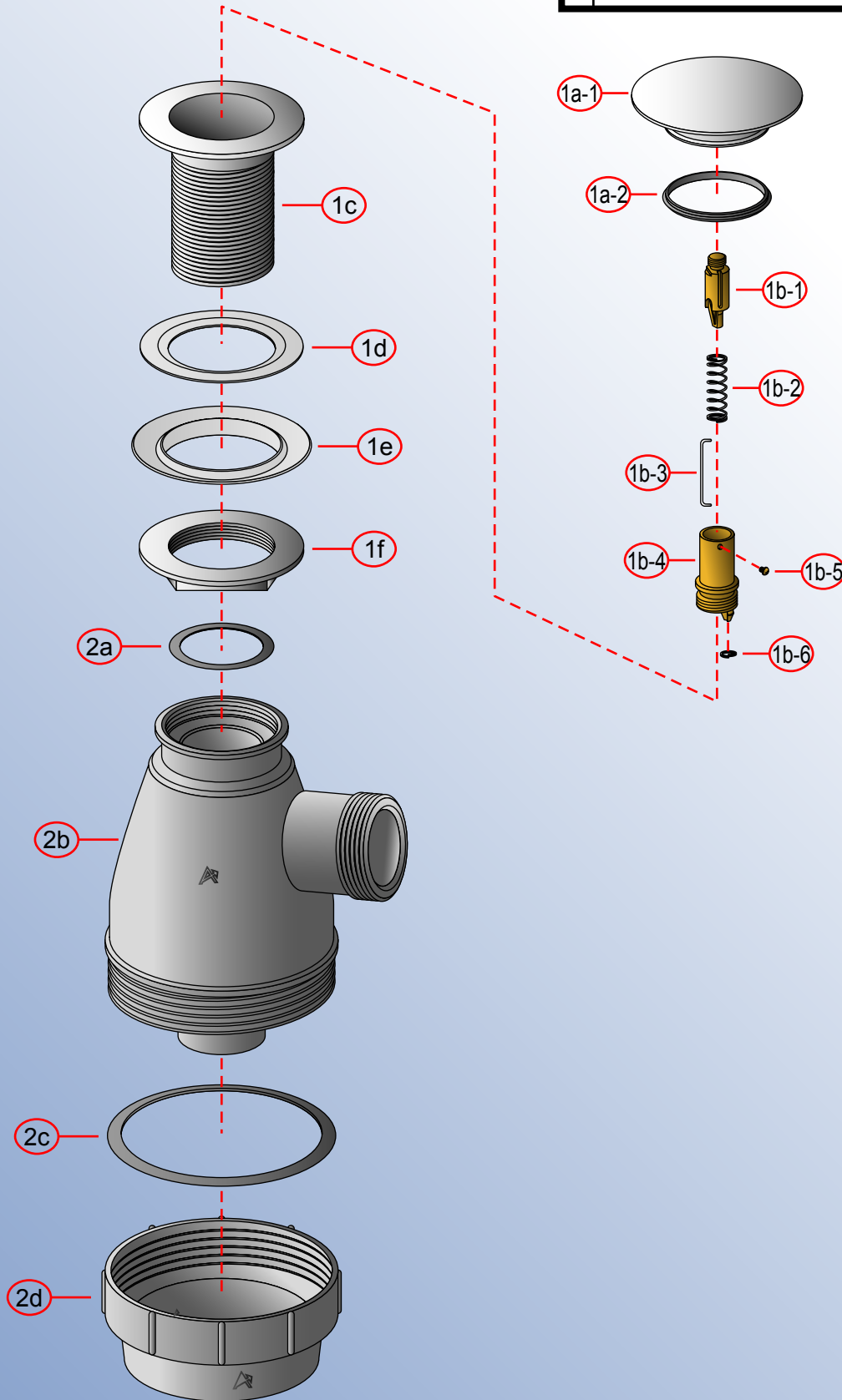
V03-0716-xx

by Associated Marketing Concepts
21624 Manilla Street, Chatsworth, CA 91311-4123
(800) 270-4262 • (818) 678-1651 • FAX (818) 678-1655
www.ambassadormarine.com

Ambassador
MARINE

Stopper	Touch	Package Style	Poly Bag	Model #	V03-0716-xx
Connection	1 1/4" -M Thread	Drain Series	Trap Sink Drain	Drain Type	Touch Trap Drain (With Cover)
Drain Size	1 3/4" (Fits: 1 7/8" Hole)	Modified/Approved	SS - 9/23/08		

Rev. Change	
A	Original
B	
C	
D	



NOT DRAWN TO SCALE

