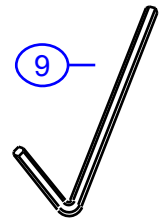
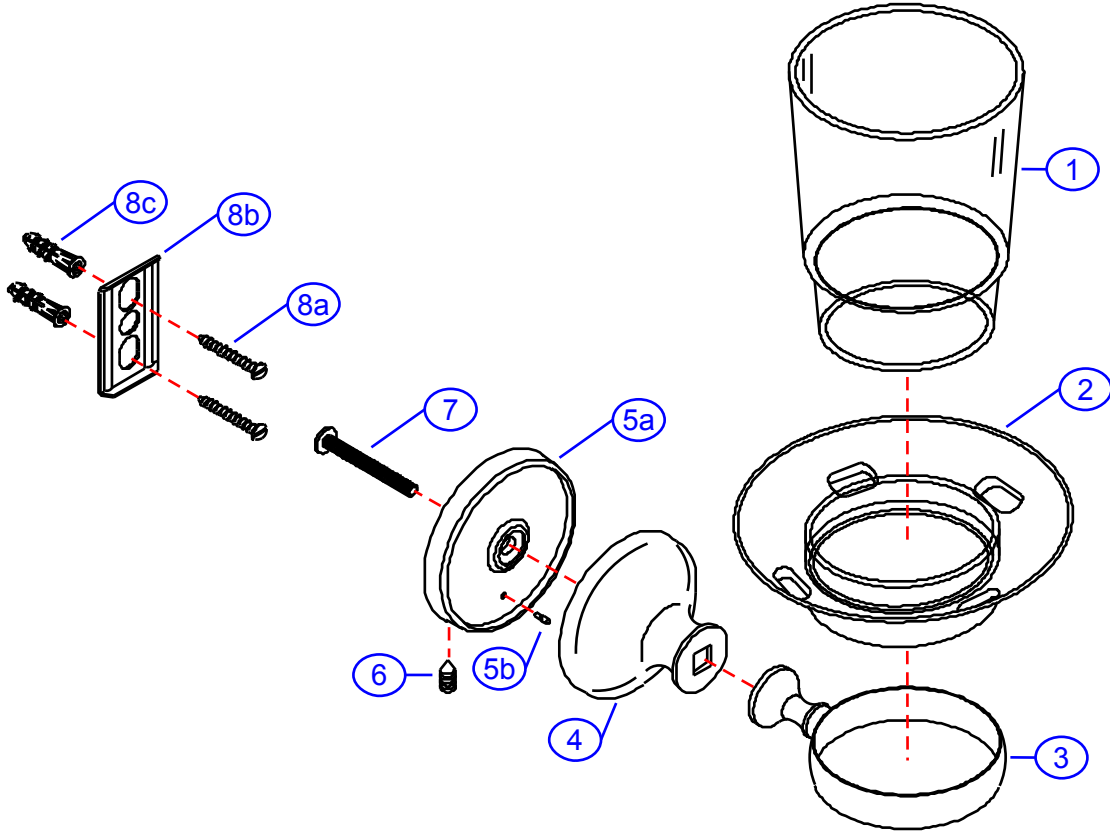


27-SD

by Associated Marketing Concepts
21624 Marilla Street, Chatsworth, CA 91311-4123
(800) 270-4262 | (818) 678-1651 | FAX (818) 678-1655
www.ambassador-amc.com



By	SS	Main Finish	Satin	Model #	27-SD
Modified/Approved	5-3-04	Accent Finish	Dura-Life Finish / Acrylic	Series	Universal
Fulfillment	xxxxSY	Valve	NA	Type	Cup/Toothbrush Holder



27-SD



Universal Cup/Toothbrush Holder- SD

#	Description	Quantity	Part #	Finish
1	Cup (Plastic)	1	E-265032	Acrylic
	Cup (Glass) *OPTIONAL*	1	G-D00311	Glass
2	Cup/Toothbrush Dish	1	E-244313	Acrylic
3	Head Ring	1	E-244171YP*	Dura-Life Finish
4	Body	1	E-240001ST*	Satin
5	Base (Assembled)	1	EA-241311YP*	Dura-Life Finish
5a	Base	1	E-241011YP*	Dura-Life Finish
5b	Pin	1	E-255115*	Metal
6	Set Screw	1	E-075039	Metal
7	Post Screw	1	E-075088ZN*	Metal
8	Mounting Hardware	1	EA-290131	Metal/Plastic
8a	Mounting Screws	2	E-053022ZN*	Metal
8b	Wall Plate	1	E-293000ZN*	Metal
8c	Mollies	2	E-291001*	Plastic
9	Allen Key	1	E-031000	Metal

* Grayed parts are not available individually. "Assembled" item required.