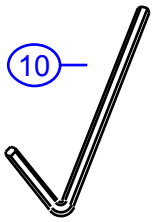
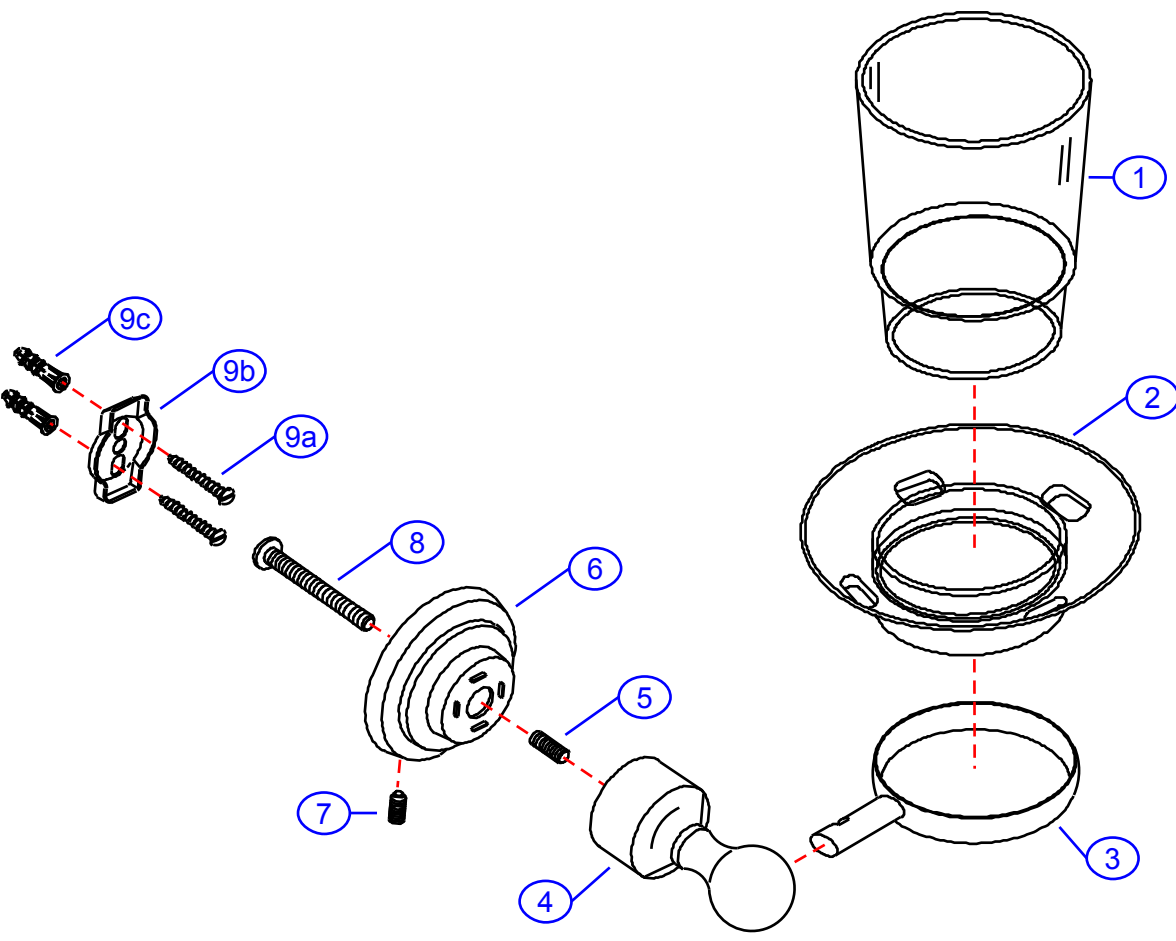


37-F

by Associated Marketing Concepts
 21624 Marilla Street, Chatsworth, CA 91311-4123
 (800) 270-4262 | (818) 678-1651 | FAX (818) 678-1655
 www.ambassador-amc.com



By	SS	Main Finish	Brushed Nickel	Model #	37-F
Modified/Approved	5-3-04	Accent Finish	Chrome / Acrylic	Series	Bar-Lever
Fulfillment	B5261101NC	Valve	NA	Type	Cup/Toothbrush Holder



37-F



Bar-Lever Cup/Toothbrush Holder- NC

#	Description	Quantity	Part #	Finish
1	Cup (Plastic)	1	E-265032	Acrylic
	Cup (Glass) *OPTIONAL*	1	G-D00311	Glass
2	Cup/Toothbrush Dish	1	E-244313	Acrylic
3	Head Ring	1	E-244042CP*	Chrome
4	Post Head	1	E-240062NP*	Brushed Nickel
5	Set Screw	1	E-065033*	Metal
6	Base	1	E-241041CP*	Chrome
7	Set Screw	1	E-075039	Metal
8	Post Screw	1	E-292516*	Metal
9	Mounting Hardware	1	EA-290013	Metal/Plastic
9a	Mounting Screws	2	E-053022*	Metal
9b	Wall Plate	1	E-293003*	Metal
9c	Mollies	2	E-291001*	Plastic
10	Allen Key	1	E-031000	Metal

* Grayed parts are not available individually. "Assembled" item required.