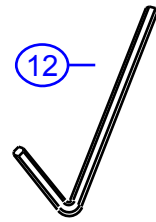
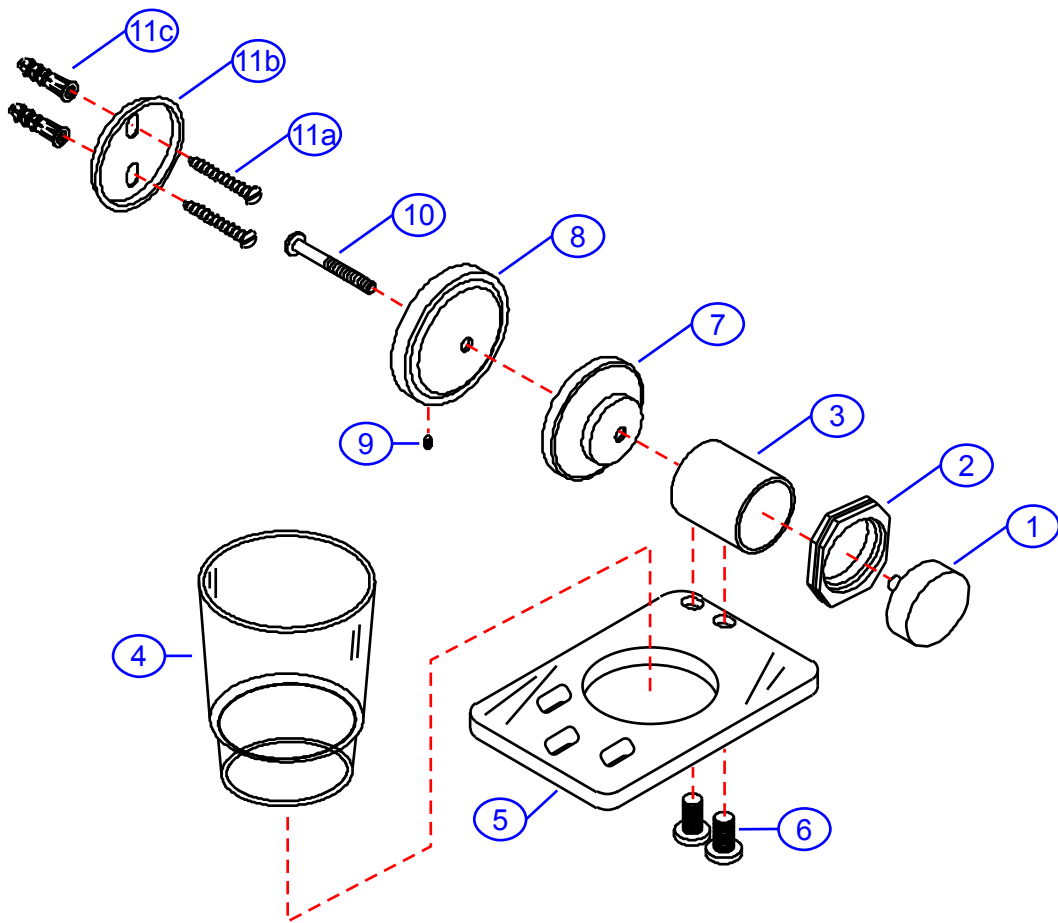


37-H

by Associated Marketing Concepts
 21624 Marilla Street, Chatsworth, CA 91311-4123
 (800) 270-4262 | (818) 678-1651 | FAX (818) 678-1655
 www.ambassador-amc.com



By	SS	Main Finish	Chrome	Model #	37-H
Modified/Approved	12-08-04	Accent Finish	18k Gold / Acrylic	Series	Hex Ring
Fulfillment	xxxxCG	Valve	NA	Type	Cup/Toothbrush Holder



37-H



Hex Ring Cup/Toothbrush Holder- CG

#	Description	Quantity	Part #	Finish
1	Cap	1	E-243091CP	Chrome
2	Hex Ring Ring	1	E-243807GP	Gold
3	Body	1	E-240331CP*	Chrome
4	Cup (Plastic)	1	E-265032	Acrylic
	Cup (Glass) *OPTIONAL*	1	G-D00311	Glass
5	Cup/Toothbrush Dish	1	E-244000	Acrylic
6	Screw	2	E-075067ZN	Metal
7	Base Cover	1	E-241031GP*	Gold
8	Base	1	E-241010ZN*	Metal
9	Set Screw	1	E-075038	Metal
10	Post Screw	1	E-075064ZN*	Metal
11	Mounting Hardware	1	EA-290015	Metal/Plastic
11a	Mounting Screw	2	E-053022ZN*	Metal
11b	Wall Plate	1	E-293002ZN*	Metal
11c	Mollies	2	E-291001*	Plastic
12	Allen Key	1	E-031000	Metal

* Grayed parts are not available individually. "Assembled" item required.